



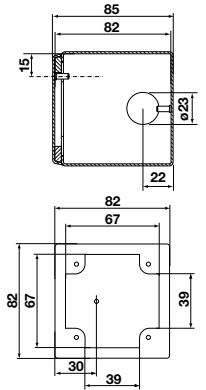
# METAL BOXES - STAINLESS STEEL

format **82 x 82 mm**



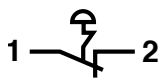
COVER	HEIGHT	gr.	CODE
WITHOUT HOLES	85	360	<b>040X0808-8</b>


COVER	HEIGHT	gr.	CODE
<b>1 HOLES</b> $\varnothing$ 22	85	357	<b>040X0808-8P1</b>

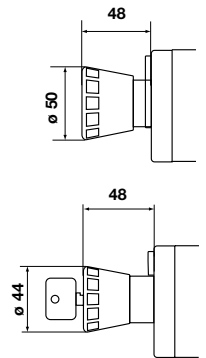


## PUSH-BUTTON BOXES CONFIGURED WITH $\varnothing$ 22 OPERATORS



OPERATION	gr.	COVER	CONFIGURATION	HEIGHT	CODE
	483	Red fast	1 020PTAASRK	85	<b>040X0808-8GFAS</b>
		mushroom button	1 020GE01		

OPERATION	gr.	COVER	CONFIGURATION	HEIGHT	CODE
	505	Red fast locking	1 020PTHCSRK	85	<b>040X0808-8GFCS</b>
		mushroom button with key release	1 020GE01		



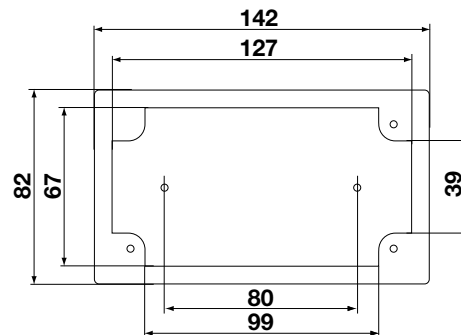
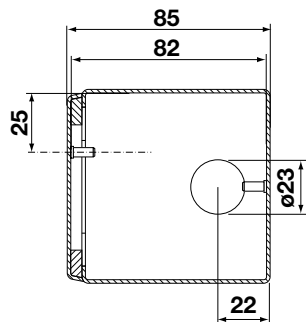
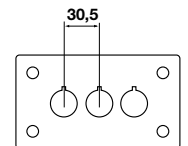
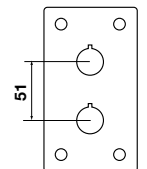
format **82 x 142 mm**



COVER	HEIGHT	gr.	CODE
WITHOUT HOLES	85	536	<b>040X0814-8</b>

COVER	HEIGHT	gr.	CODE
<b>2 HOLES</b> $\varnothing$ 22	85	530	<b>040X0814-8P2</b>

COVER	HEIGHT	gr.	CODE
<b>3 HOLES</b> $\varnothing$ 22	85	527	<b>040X0814-8P3</b>





# METAL BOXES - STAINLESS STEEL

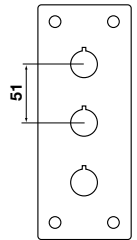
format **82 x 202 mm**

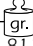


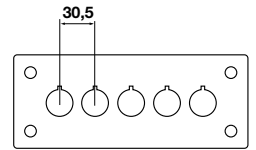
COVER	HEIGHT	 gr.	CODE
WITHOUT HOLES	85	826	<b>040X0820-8</b>

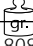


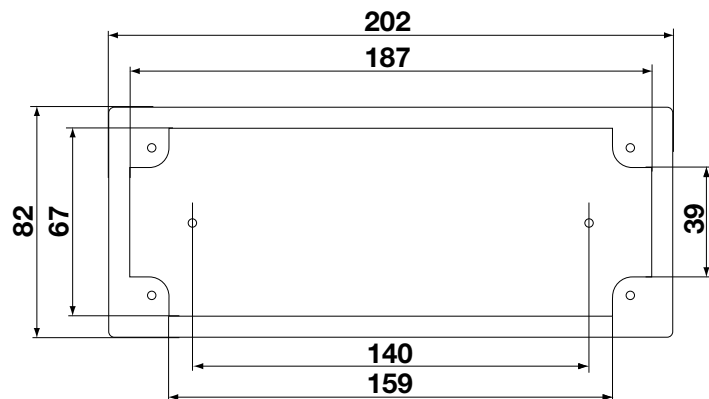
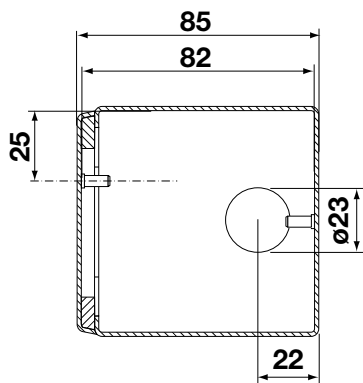
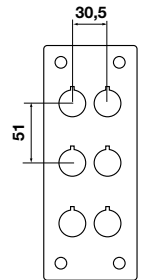
COVER	HEIGHT	 gr.	CODE
<b>3 HOLES</b> $\varnothing 22$	85	817	<b>040X0820-8P3</b>



COVER	HEIGHT	 gr.	CODE
<b>5 HOLES</b> $\varnothing 22$	85	811	<b>040X0820-8P5L</b>



COVER	HEIGHT	 gr.	CODE
<b>6 HOLES</b> $\varnothing 22$	85	808	<b>040X0820-8P6</b>





# METAL BOXES - STAINLESS STEEL

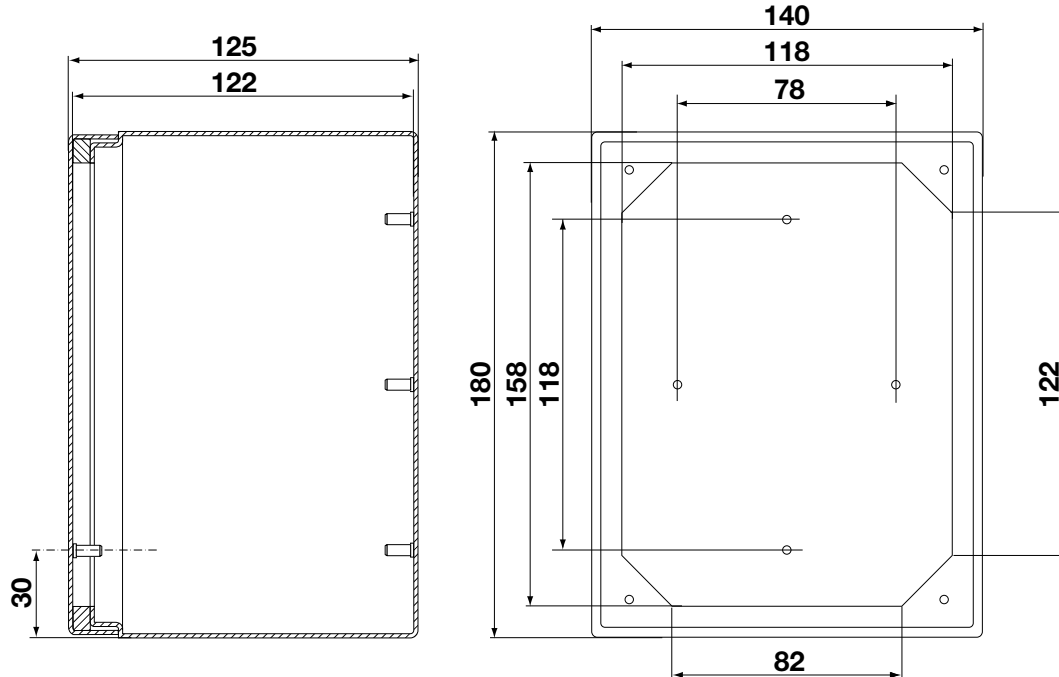
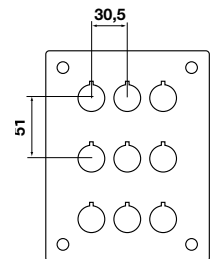
format **140 x 180 mm**



COVER	HEIGHT	 gr.	CODE
WITHOUT HOLES	125	1226	<b>040X1418-12</b>



COVER	HEIGHT	 gr.	CODE
<b>9 HOLES</b> $\varnothing$ 22	125	1200	<b>040X1418-12P9</b>





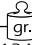
# METAL BOXES - STAINLESS STEEL

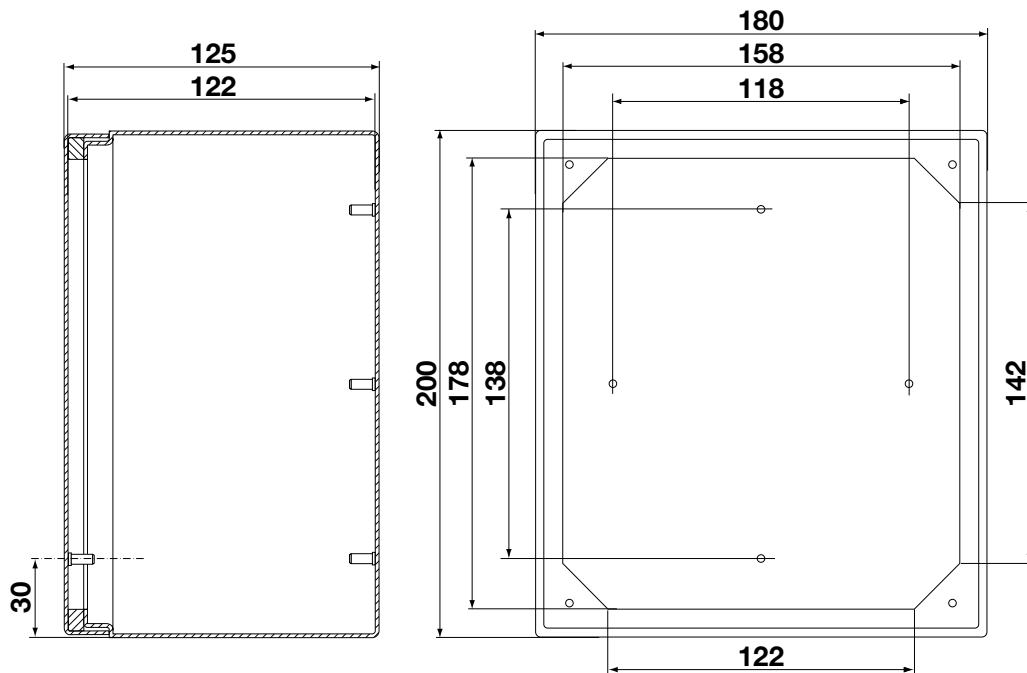
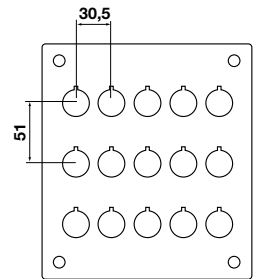
format **180 x 200 mm**



COVER	HEIGHT	 gr.	CODE
WITHOUT HOLES	125	1392	<b>040X1820-12</b>



COVER	HEIGHT	 gr.	CODE
<b>15 HOLES</b> $\varnothing$ 22	125	1347	<b>040X1820-12P15</b>



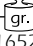


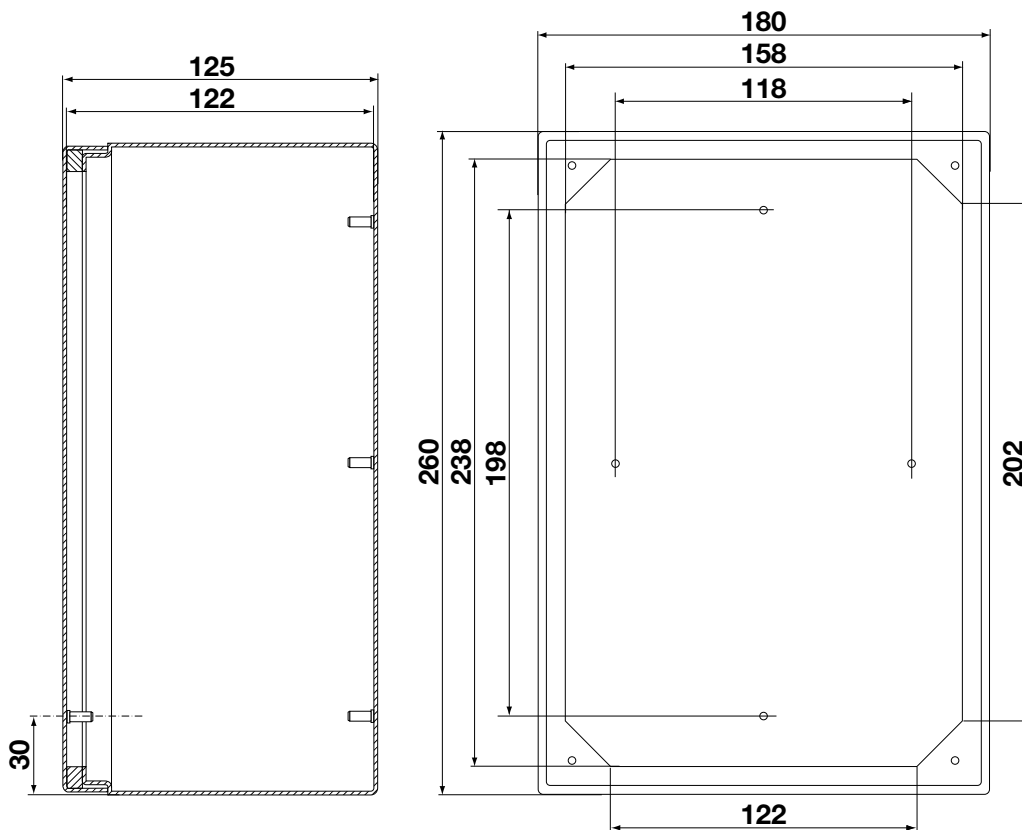
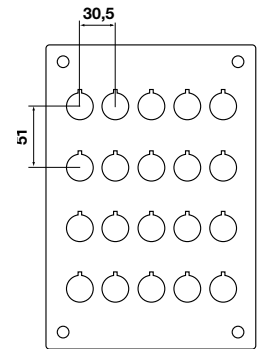
format **180 x 260 mm**



COVER	HEIGHT		CODE
WITHOUT HOLES	125	1712	<b>040X1826-12</b>



COVER	HEIGHT		CODE
<b>20 HOLES</b> $\varnothing$ 22	125	1652	<b>040X1826-12P20</b>

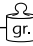




# METAL BOXES - STAINLESS STEEL

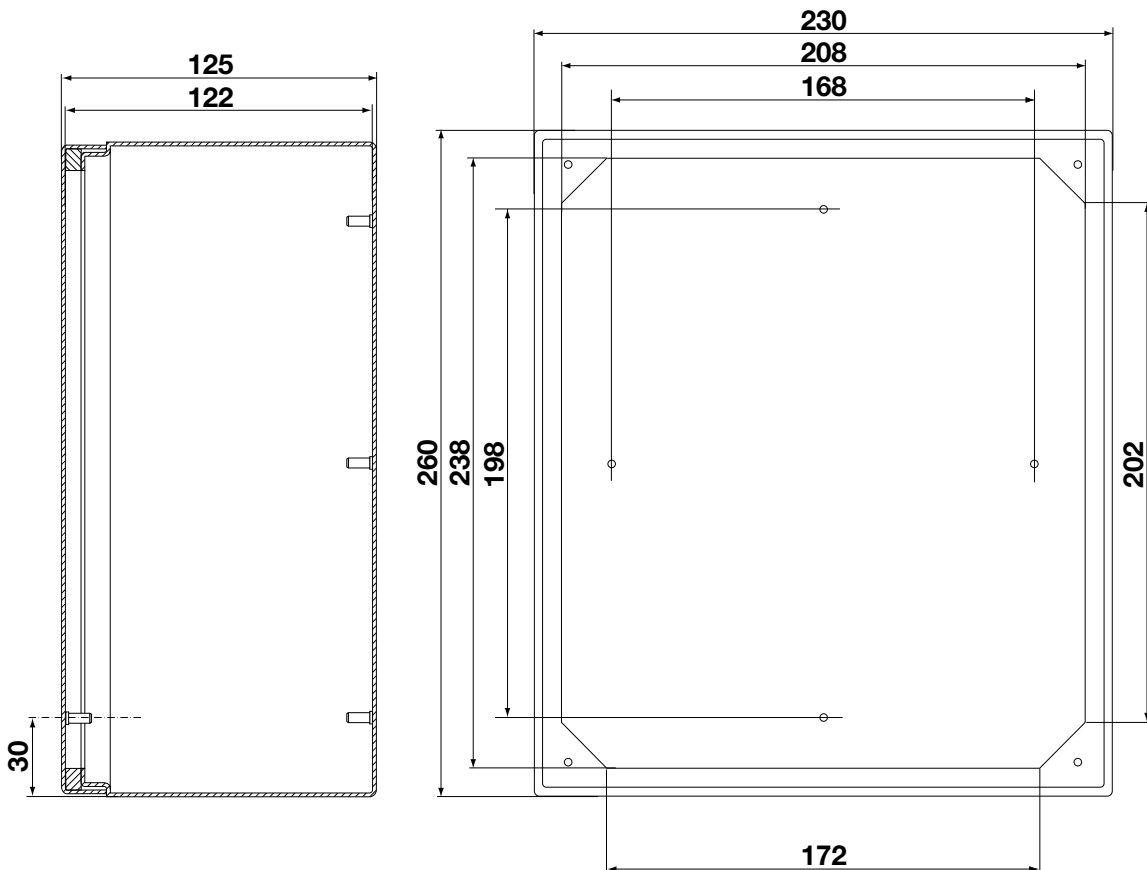
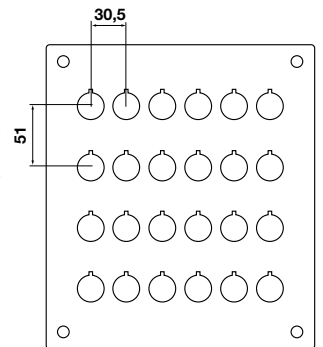
format **230 x 260 mm**

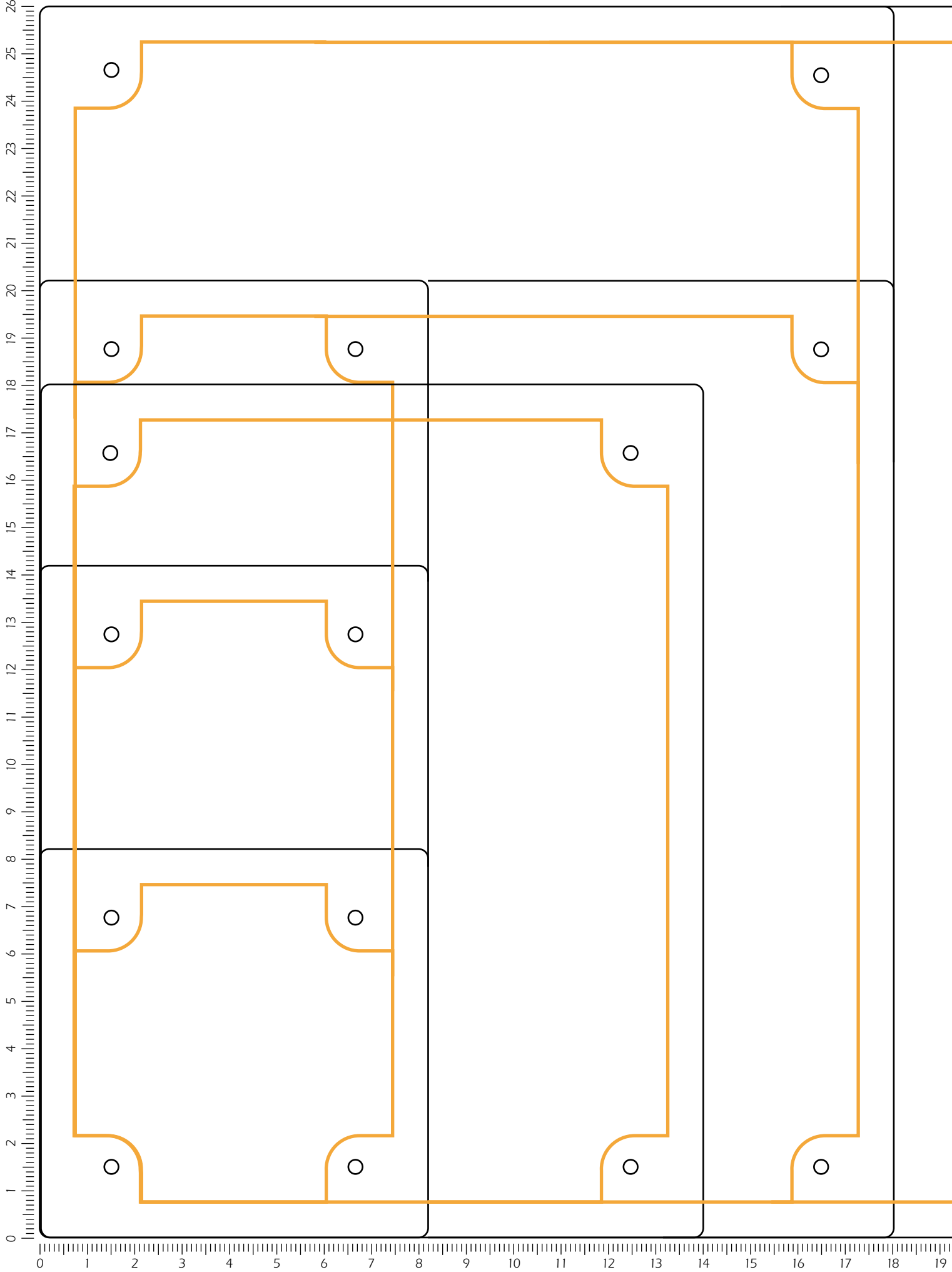


COVER	HEIGHT		CODE
WITHOUT HOLES	125	2283	<b>040X2326-12</b>



COVER	HEIGHT		CODE
<b>24 HOLES</b> $\varnothing$ 22	125	2211	<b>040X2326-12P24</b>

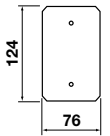




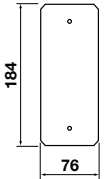
This page shows the containers in scale 1:1.  
 Use the templates comparing or overlapping the components to be used in such a way as to obtain valid help in selecting the box.



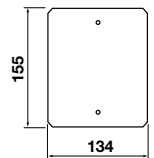
gr.	ITEM	CODE
74	Plate	<b>040P0814</b>



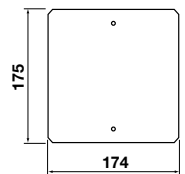
gr.	ITEM	CODE
109	Plate	<b>040P0820</b>



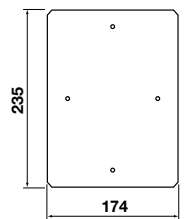
gr.	ITEM	CODE
162	Plate	<b>040P1418</b>



gr.	ITEM	CODE
235	Plate	<b>040P1820</b>



gr.	ITEM	CODE
318	Plate	<b>040P1826</b>



gr.	ITEM	CODE
410	Plate	<b>040P2326</b>

