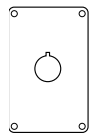




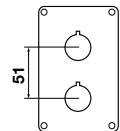
COVER	HEIGHT	gr.	WITH CABLE HOLE	gr.	WITHOUT CABLE HOLE
WITHOUT HOLES	80	365	040C0711-8E	369	040C0711-8



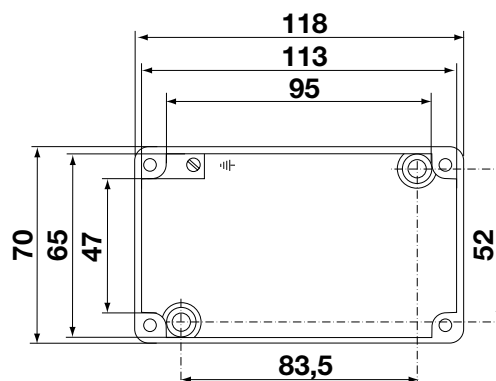
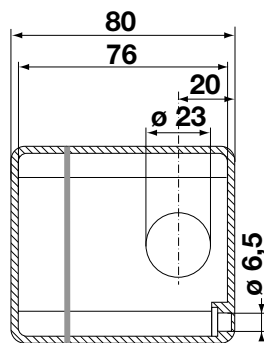
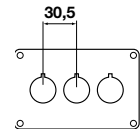
COVER	HEIGHT	gr.	WITH CABLE HOLE	gr.	WITHOUT CABLE HOLE
1 HOLE Ø 22	80	362	040C0711-8EP1	366	040C0711-8P1



COVER	HEIGHT	gr.	WITH CABLE HOLE	gr.	WITHOUT CABLE HOLE
2 HOLES Ø 22	80	359	040C0711-8EP2	363	040C0711-8P2



COVER	HEIGHT	gr.	WITH CABLE HOLE	gr.	WITHOUT CABLE HOLE
3 HOLES Ø 22	80	356	040C0711-8EP3	360	040C0711-8P3



Moulding process: PF



METAL BOXES - ALUMINIUM

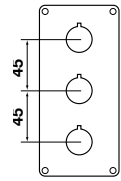
format **70 x 155 mm**



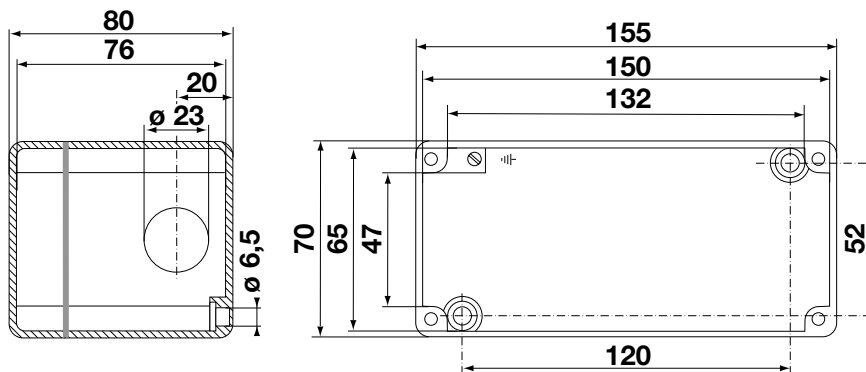
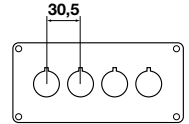
COVER	HEIGHT	gr.	WITH CABLE HOLE	gr.	WITHOUT CABLE HOLE
WITHOUT HOLES	80	422	040C0715-8E	426	040C0715-8



COVER	HEIGHT	gr.	WITH CABLE HOLE	gr.	WITHOUT CABLE HOLE
3 HOLES Ø 22	80	413	040C0715-8EP3	417	040C0715-8P3



COVER	HEIGHT	gr.	WITH CABLE HOLE	gr.	WITHOUT CABLE HOLE
4 HOLES Ø 22	80	410	040C0715-8EP4	414	040C0715-8P4





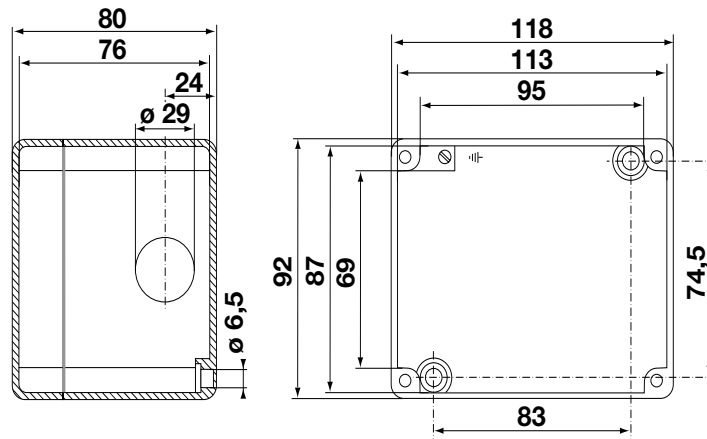
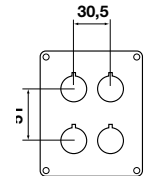
METAL BOXES - ALUMINIUM

format **92 x 118 mm**



COVER	HEIGHT	gr.	WITH CABLE HOLE	gr.	WITHOUT CABLE HOLE
WITHOUT HOLES	80	400	040C0911-8E	404	040C0911-8

COVER	HEIGHT	gr.	WITH CABLE HOLE	gr.	WITHOUT CABLE HOLE
4 HOLES Ø 22	80	388	040C0911-8EP4	392	040C0911-8P4

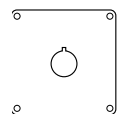


format **92 x 92 mm**



COVER	HEIGHT	gr.	WITH CABLE HOLE	gr.	WITHOUT CABLE HOLE
WITHOUT HOLES	70	298	040C0909-7E	302	040C0909-7
WITHOUT HOLES	100	422	040C0909-1E	426	040C0909-1

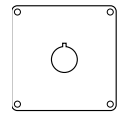
COVER	HEIGHT	gr.	WITH CABLE HOLE	gr.	WITHOUT CABLE HOLE
1 HOLE Ø 22	70	295	040C0909-7EP1	299	040C0909-7P1
1 HOLE Ø 22	100	419	040C0909-1EP1	423	040C0909-1P1
1 HOLE Ø 30	70	294	040C0909-7ES1	298	040C0909-7S1
1 HOLE Ø 30	100	418	040C0909-1ES1	422	040C0909-1S1



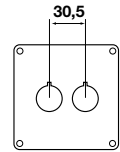
Moulding process: PF



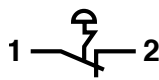
COVER	HEIGHT	gr.	WITH CABLE HOLE	gr.	WITHOUT CABLE HOLE
1 HOLE Ø 22	70	295	040C0909-7EGP1	299	040C0909-7GP1
1 HOLE Ø 22	100	419	040C0909-1EGP1	423	040C0909-1GP1



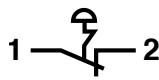
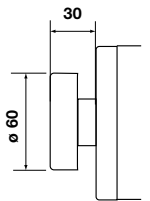
COVER	HEIGHT	gr.	WITH CABLE HOLE	gr.	WITHOUT CABLE HOLE
2 HOLE Ø 22	70	292	040C0909-7EP2	296	040C0909-7P2
2 HOLE Ø 22	100	416	040C0909-1EP2	420	040C0909-1P2



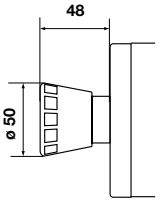
PUSH-BUTTON BOXES CONFIGURED WITH Ø 22 OPERATORS



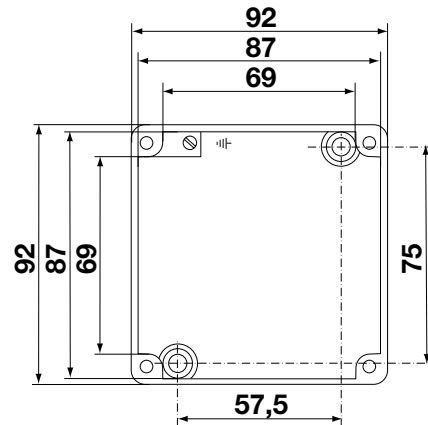
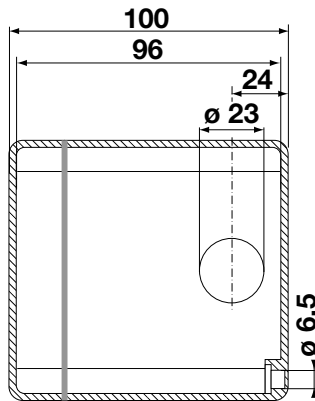
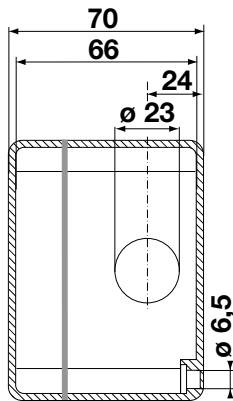
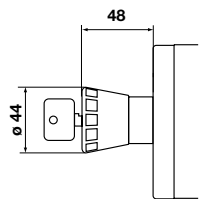
OPERATION	HEIGHT	COVER	gr.	WITH CABLE HOLE	gr.	WITHOUT CABLE HOLE
1	70	Red latching mushroom button	382	040C0909-7EGFFA	380	040C0909-7GFFA



OPERATION	HEIGHT	COVER	gr.	WITH CABLE HOLE	gr.	WITHOUT CABLE HOLE
1	70	Red fast locking mushroom button	407	040C0909-7EGFAS	405	040C0909-7GFAS



OPERATION	HEIGHT	COVER	gr.	WITH CABLE HOLE	gr.	WITHOUT CABLE HOLE
1	70	Red fast locking mushroom button with key release	425	040C0909-7EGFCS	423	040C0909-7GFCS





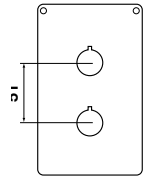
format **92 x 152 mm**



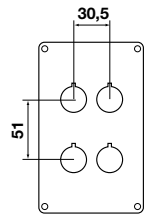
COVER	HEIGHT	gr.	WITH CABLE HOLE	gr.	WITHOUT CABLE HOLE
WITHOUT HOLES	70	432	040C0915-7E	436	040C0915-7
WITHOUT HOLES	100	560	040C0915-1E	564	040C0915-1



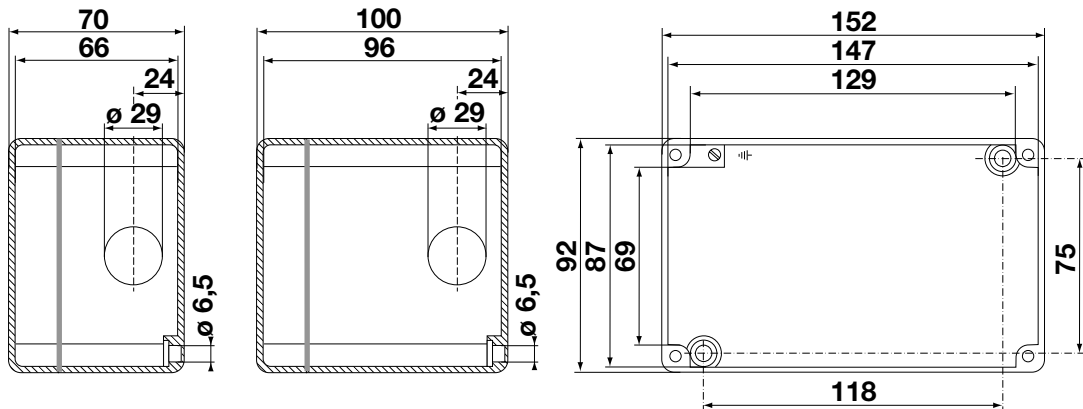
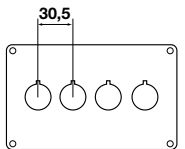
COVER	HEIGHT	gr.	WITH CABLE HOLE	gr.	WITHOUT CABLE HOLE
2 HOLES Ø 22	70	426	040C0915-7EP2	430	040C0915-7P2
2 HOLES Ø 22	100	554	040C0915-1EP2	558	040C0915-1P2
2 HOLES Ø 30	70	424	040C0915-7ES2	428	040C0915-7S2
2 HOLES Ø 30	100	552	040C0915-1ES2	556	040C0915-1S2



COVER	HEIGHT	gr.	WITH CABLE HOLE	gr.	WITHOUT CABLE HOLE
4 HOLES Ø 22	70	420	040C0915-7EP4	424	040C0915-7P4
4 HOLES Ø 22	100	548	040C0915-1EP4	552	040C0915-1P4



COVER	HEIGHT	gr.	WITH CABLE HOLE	gr.	WITHOUT CABLE HOLE
4 HOLES Ø 22	70	420	040C0915-7EP4L	428	040C0915-7P4L
4 HOLES Ø 22	100	548	040C0915-1EP4L	552	040C0915-1P4L



Moulding process: PF



METAL BOXES - ALUMINIUM

format **92 x 205 mm**



COVER	HEIGHT	gr.	WITH CABLE HOLE	gr.	WITHOUT CABLE HOLE
WITHOUT HOLES	70	576	040C0920-7E	580	040C0920-7
WITHOUT HOLES	100	758	040C0920-1E	762	040C0920-1

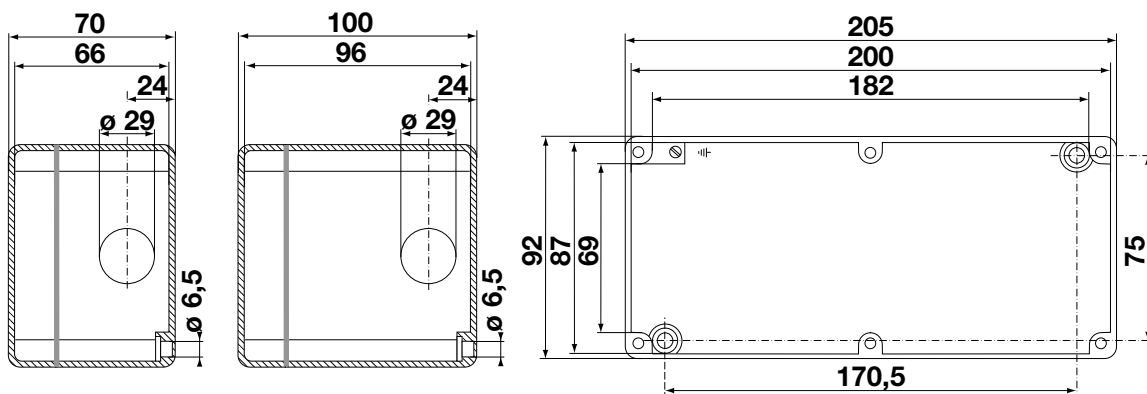
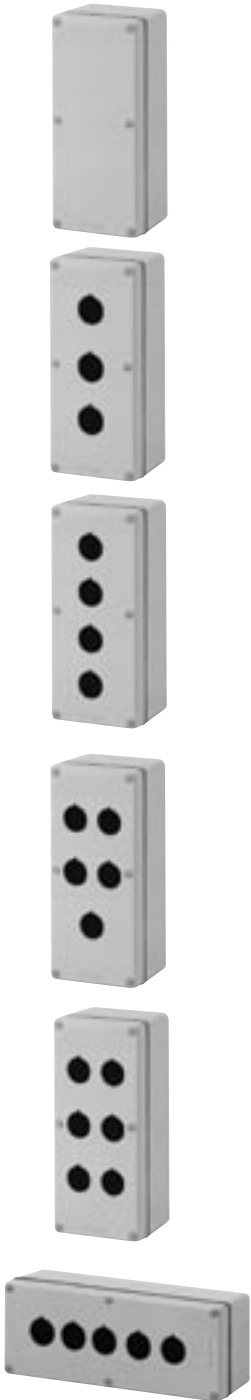
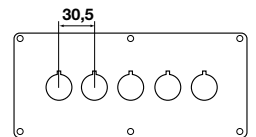
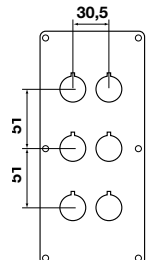
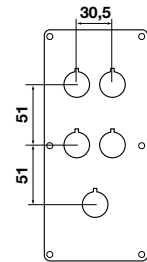
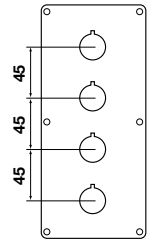
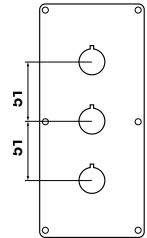
COVER	HEIGHT	gr.	WITH CABLE HOLE	gr.	WITHOUT CABLE HOLE
3 HOLES Ø 22	70	567	040C0920-7EP3	571	040C0920-7P3
3 HOLES Ø 22	100	749	040C0920-1EP3	753	040C0920-1P3
3 HOLES Ø 30	70	564	040C0920-7ES3	568	040C0920-7S3
3 HOLES Ø 30	100	746	040C0920-1ES3	750	040C0920-1S3

COVER	HEIGHT	gr.	WITH CABLE HOLE	gr.	WITHOUT CABLE HOLE
4 HOLES Ø 22	70	564	040C0920-7EP4	568	040C0920-7P4
4 HOLES Ø 22	100	746	040C0920-1EP4	750	040C0920-1P4

COVER	HEIGHT	gr.	WITH CABLE HOLE	gr.	WITHOUT CABLE HOLE
5 HOLES Ø 22	70	561	040C0920-7EP5	565	040C0920-7P5
5 HOLES Ø 22	100	743	040C0920-1EP5	747	040C0920-1P5

COVER	HEIGHT	gr.	WITH CABLE HOLE	gr.	WITHOUT CABLE HOLE
6 HOLES Ø 22	70	558	040C0920-7EP6	562	040C0920-7P6
6 HOLES Ø 22	100	740	040C0920-1EP6	744	040C0920-1P6

COVER	HEIGHT	gr.	WITH CABLE HOLE	gr.	WITHOUT CABLE HOLE
5 HOLES Ø 22	70	561	040C0920-7EP5L	565	040C0920-7P5L
5 HOLES Ø 22	100	743	040C0920-1EP5L	747	040C0920-1P5L



Moulding process: PF



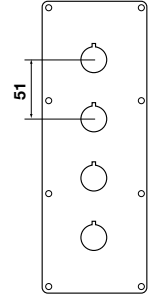
format **92 x 257 mm**



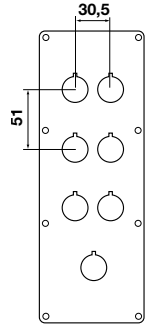
COVER	HEIGHT	gr.	WITH CABLE HOLE	gr.	WITHOUT CABLE HOLE
WITHOUT HOLES	70	1.030	040C0925-7E	1.036	040C0925-7
WITHOUT HOLES	100	1.330	040C0925-1E	1.336	040C0925-1



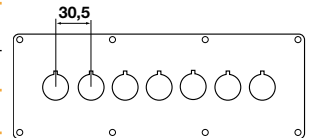
COVER	HEIGHT	gr.	WITH CABLE HOLE	gr.	WITHOUT CABLE HOLE
4 HOLES Ø 22	70	1.018	040C0925-7EP4	1.024	040C0925-7P4
4 HOLES Ø 22	100	1.318	040C0925-1EP4	1.324	040C0925-1P4
4 HOLES Ø 30	70	1.006	040C0925-7ES4	1.012	040C0925-7S4
4 HOLES Ø 30	100	1.306	040C0925-1ES4	1.312	040C0925-1S4



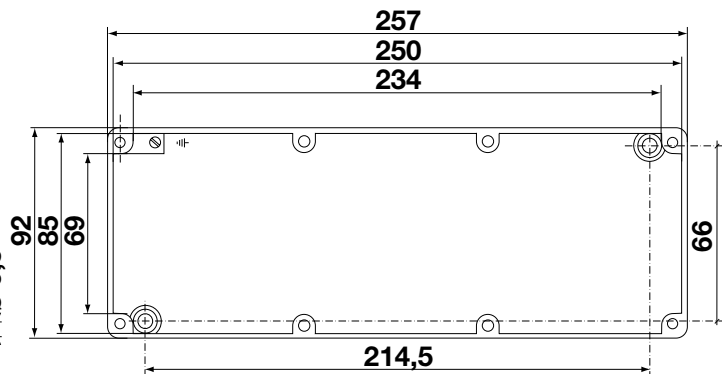
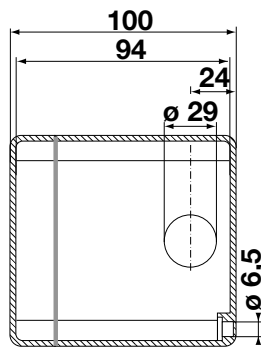
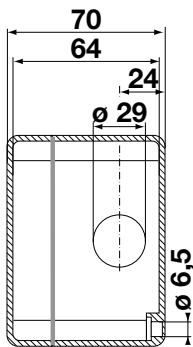
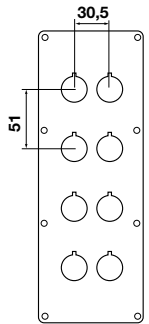
COVER	HEIGHT	gr.	WITH CABLE HOLE	gr.	WITHOUT CABLE HOLE
7 HOLES Ø 22	70	1.009	040C0925-7EP7	1.015	040C0925-7P7
7 HOLES Ø 22	100	1.309	040C0925-1EP7	1.315	040C0925-1P7



COVER	HEIGHT	gr.	WITH CABLE HOLE	gr.	WITHOUT CABLE HOLE
7 HOLES Ø 22	70	1.009	040C0925-7EP7L	1.015	040C0925-7P7L
7 HOLES Ø 22	100	1.309	040C0925-1EP7L	1.315	040C0925-1P7L



COVER	HEIGHT	gr.	WITH CABLE HOLE	gr.	WITHOUT CABLE HOLE
8 HOLES Ø 22	70	1.006	040C0925-7EP8	1.012	040C0925-7P8
8 HOLES Ø 22	100	1.306	040C0925-1EP8	1.312	040C0925-1P8



Moulding process: FC



METAL BOXES - ALUMINIUM

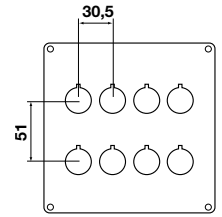
format **152 x 152 mm**



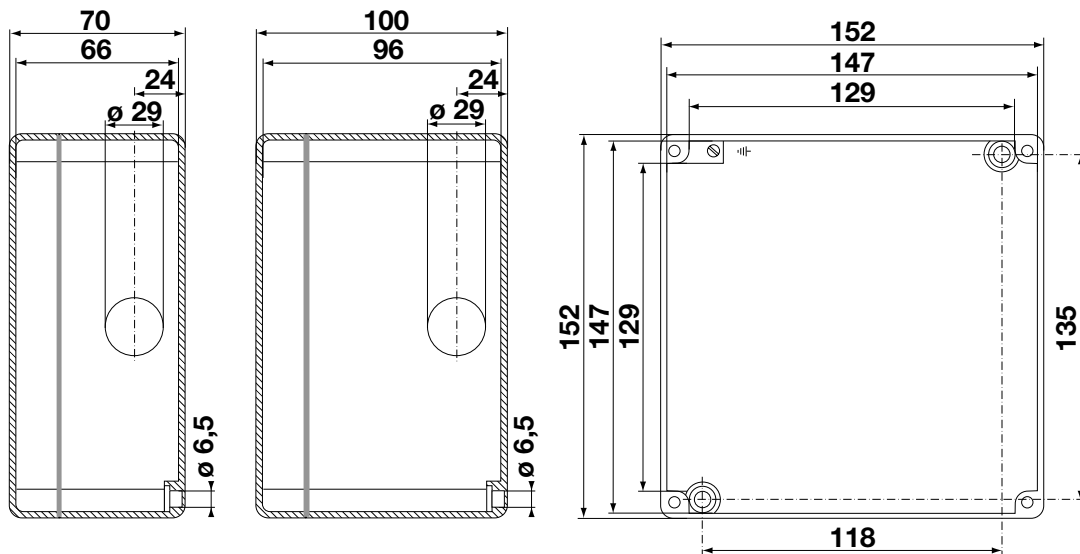
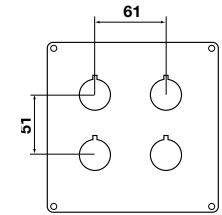
COVER	HEIGHT	WITH CABLE HOLE		WITHOUT CABLE HOLE	
		gr.		gr.	
WITHOUT HOLES	70	590	040C1515-7E	594	040C1515-7
WITHOUT HOLES	100	750	040C1515-1E	754	040C1515-1



COVER	HEIGHT	WITH CABLE HOLE		WITHOUT CABLE HOLE	
		gr.		gr.	
8 HOLES Ø 22	70	566	040C1515-7EP8	570	040C1515-7P8
8 HOLES Ø 22	100	726	040C1515-1EP8	730	040C1515-1P8



COVER	HEIGHT	WITH CABLE HOLE		WITHOUT CABLE HOLE	
		gr.		gr.	
4 HOLES Ø 30	70	574	040C1515-7ES4	578	040C1515-7S4
4 HOLES Ø 30	100	734	040C1515-1ES4	738	040C1515-1S4



Moulding process: PF



METAL BOXES - ALUMINIUM

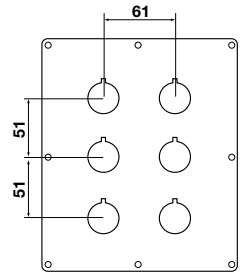
format **170 x 205 mm**



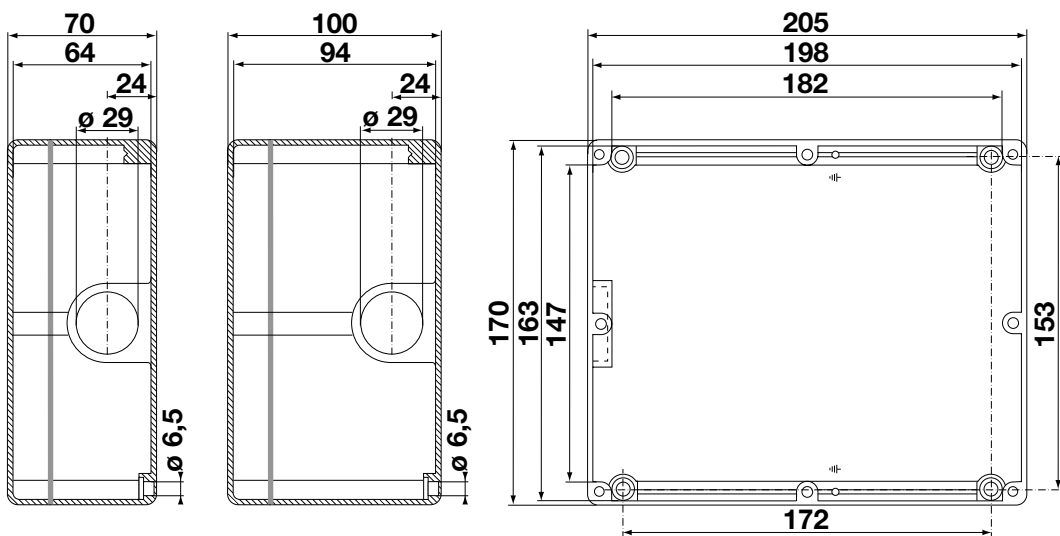
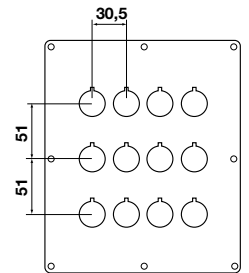
COVER	HEIGHT	WITH CABLE HOLE		WITHOUT CABLE HOLE	
		gr.		gr.	
WITHOUT HOLES	70	1.270	040C1720-7E	1.276	040C1720-7
WITHOUT HOLES	100	1.730	040C1720-1E	1.736	040C1720-1



COVER	HEIGHT	WITH CABLE HOLE		WITHOUT CABLE HOLE	
		gr.		gr.	
6 HOLES Ø 30	70	1.234	040C1720-7ES6	1.240	040C1720-7S6
6 HOLES Ø 30	100	1.694	040C1720-1ES6	1.700	040C1720-1S6



COVER	HEIGHT	WITH CABLE HOLE		WITHOUT CABLE HOLE	
		gr.		gr.	
12 HOLES Ø 22	70	1.234	040C1720-7EP12	1.240	040C1720-7P12
12 HOLES Ø 22	100	1.694	040C1720-1EP12	1.700	040C1720-1P12



Moulding process: FC

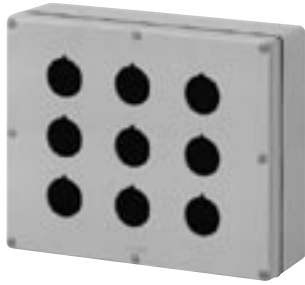


METAL BOXES - ALUMINIUM

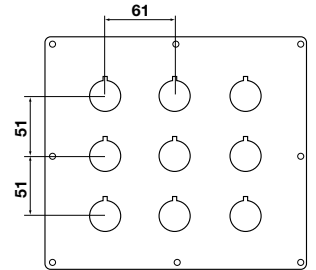
format **230 x 205 mm**



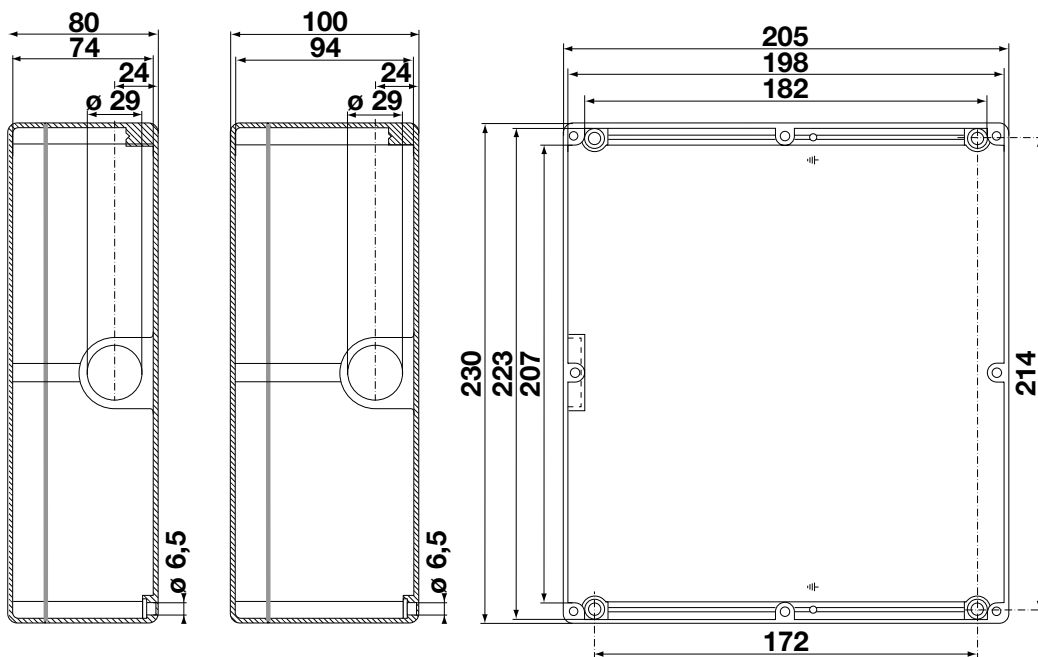
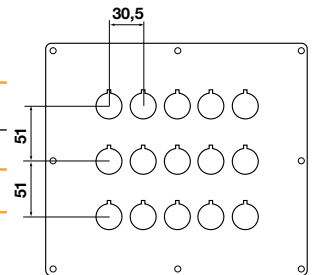
COVER	HEIGHT	gr.	WITH CABLE HOLE	gr.	WITHOUT CABLE HOLE
WITHOUT HOLES	80	1.620	040C2320-8E	1.626	040C2320-8
WITHOUT HOLES	100	1.895	040C2320-1E	1.900	040C2320-1



COVER	HEIGHT	gr.	WITH CABLE HOLE	gr.	WITHOUT CABLE HOLE
9 HOLES Ø 30	80	1.566	040C2320-8ES9	1.572	040C2320-8S9
9 HOLES Ø 30	100	1.841	040C2320-1ES9	1.846	040C2320-1S9



COVER	HEIGHT	gr.	WITH CABLE HOLE	gr.	WITHOUT CABLE HOLE
15 HOLES Ø 22	80	1.575	040C2320-8EP15	1.581	040C2320-8P15
15 HOLES Ø 22	100	1.850	040C2320-1EP15	1.855	040C2320-1P15





format **230 x 257 mm**

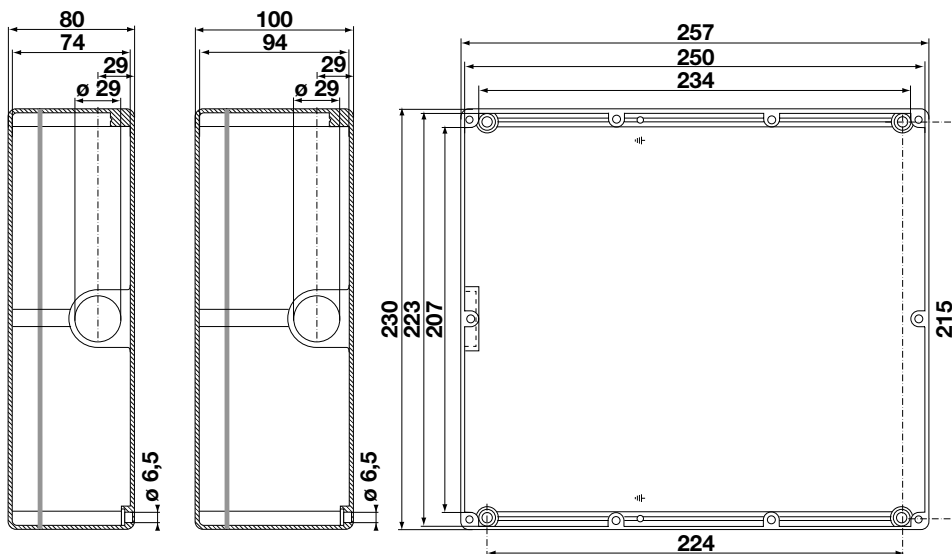
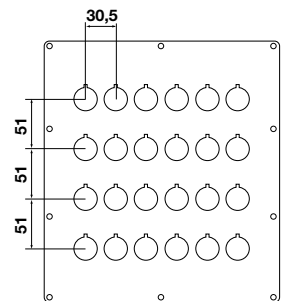
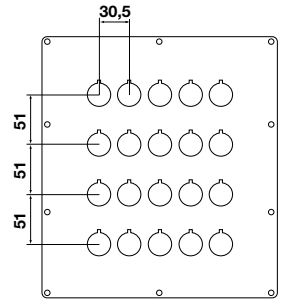
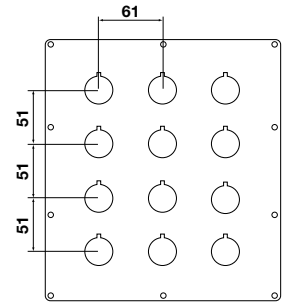


COVER	HEIGHT	gr.	WITH CABLE HOLE	gr.	WITHOUT CABLE HOLE
WITHOUT HOLES	80	1.906	040C2325-8E	1.912	040C2325-8
WITHOUT HOLES	100	2.180	040C2325-1E	2.186	040C2325-1

COVER	HEIGHT	gr.	WITH CABLE HOLE	gr.	WITHOUT CABLE HOLE
12 HOLES Ø 30	80	1.834	040C2325-8ES12	1.840	040C2325-8S12
12 HOLES Ø 30	100	2.108	040C2325-1ES12	2.114	040C2325-1S12

COVER	HEIGHT	gr.	WITH CABLE HOLE	gr.	WITHOUT CABLE HOLE
20 HOLES Ø 22	80	1.846	040C2325-8EP20	1.852	040C2325-8P20
20 HOLES Ø 22	100	2.120	040C2325-1EP20	2.126	040C2325-1P20

COVER	HEIGHT	gr.	WITH CABLE HOLE	gr.	WITHOUT CABLE HOLE
24 HOLES Ø 22	80	1.834	040C2325-8EP24	1.840	040C2325-8P24
24 HOLES Ø 22	100	2.108	040C2325-1EP24	2.114	040C2325-1P24



Moulding process: FC

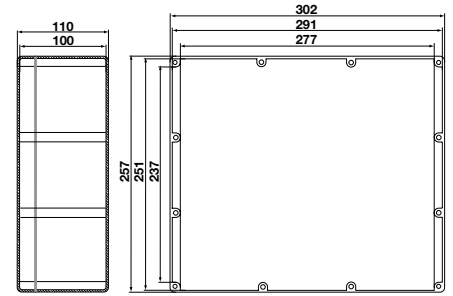


METAL BOXES - ALUMINIUM

format **300 x 257 mm**



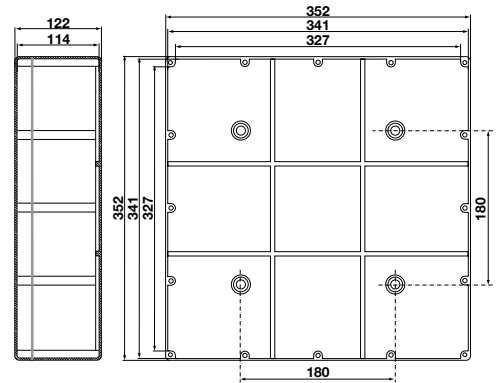
COVER	HEIGHT	gr.	WITHOUT CABLE HOLE
WITHOUT HOLES 110	4.100		040C3025-11



format **350 x 350 mm**



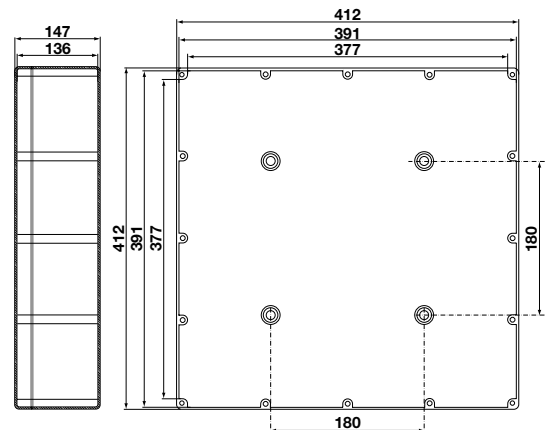
COVER	HEIGHT	gr.	WITHOUT CABLE HOLE
WITHOUT HOLES 122	6.300		040C3535-12



format **400 x 400 mm**



COVER	HEIGHT	gr.	WITHOUT CABLE HOLE
WITHOUT HOLES 147	9.800		040C4040-15

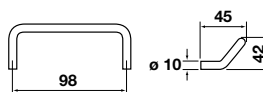




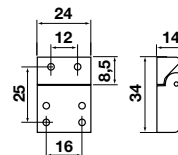
ACCESSORIES



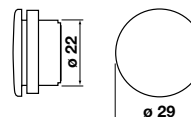
gr.	ITEM	CODE
112	Handles	040MM



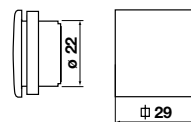
gr.	ITEM	CODE
57	Hinges	040CF



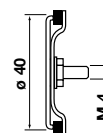
gr.	ITEM	CODE
12	Plug	020TTP



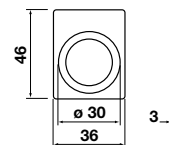
gr.	ITEM	CODE
13	Plug	020TQP



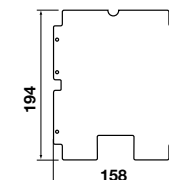
gr.	ITEM	CODE
34	Plug ø 30	030CP



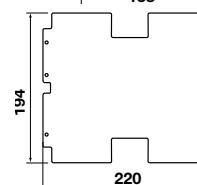
gr.	ITEM	CODE
7	Reduction flange ø30>ø22	020FR



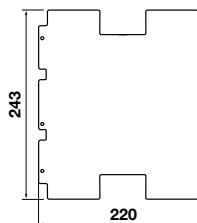
gr.	ITEM	CODE
225	Plate	040P1720



gr.	ITEM	CODE
320	Plate	040P2320

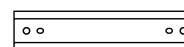


gr.	ITEM	CODE
400	Plate	040P2325



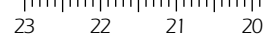
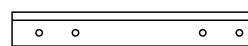
gr.	ITEM	CODE
52	Guide Ω 35	040G3516

L = 170

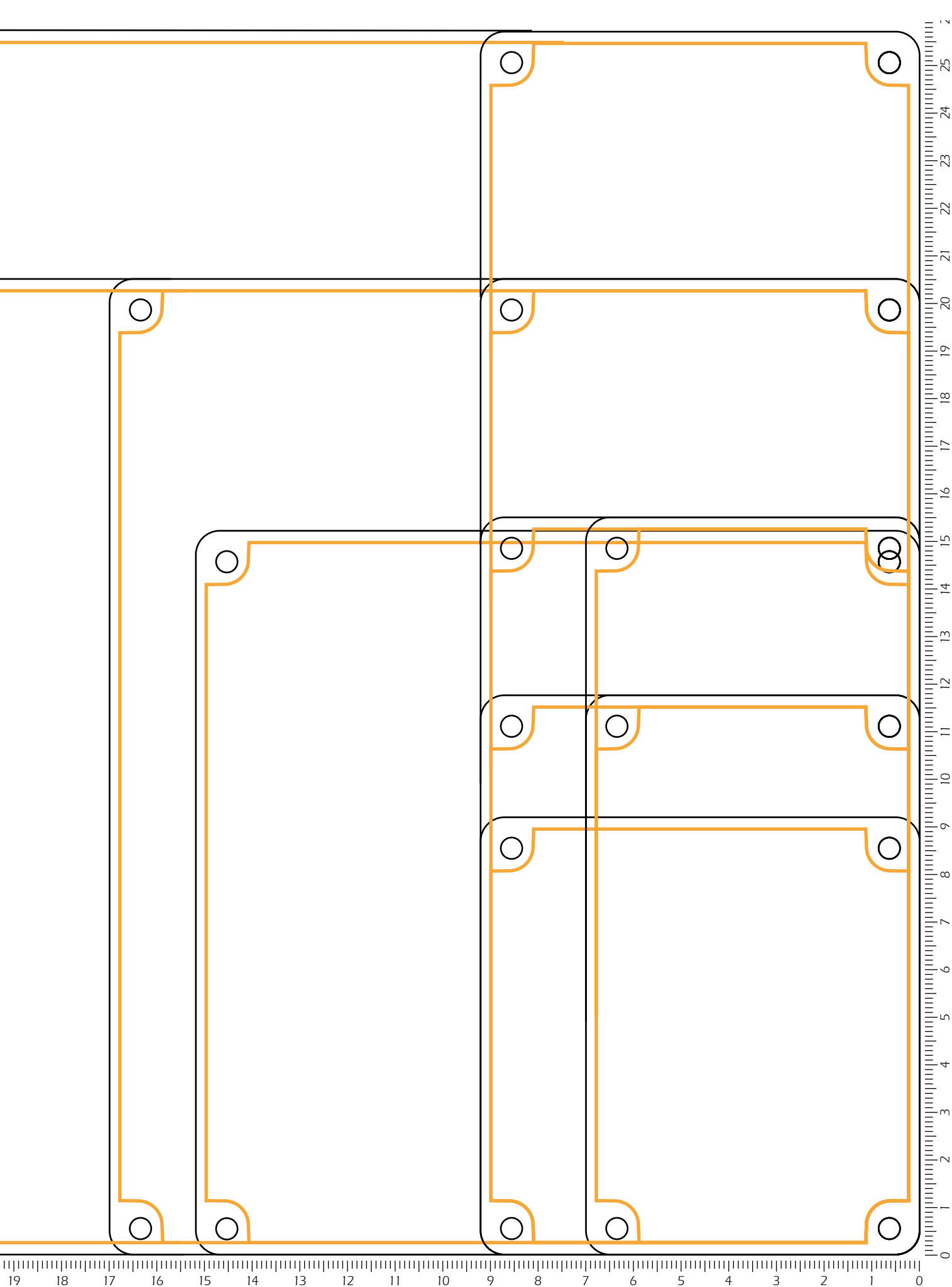


gr.	ITEM	CODE
72	Guide Ω 35	040G3522

L = 240



For versions with Ω 35 plate mounted guide see guides on pages 25.



**This page shows containers in scale 1:1.
Use the templates comparing or overlapping the components to be used in such a way
as to obtain valid help in selecting the box.**