










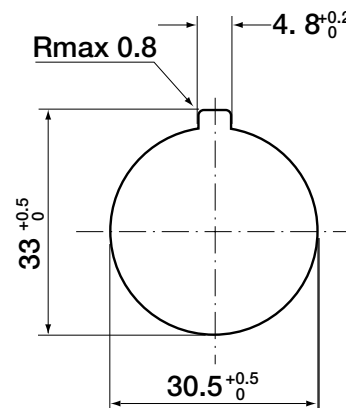
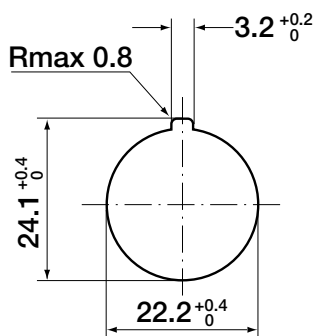
080 SERIES CODE DECODING (1)

FAMILY	TYPE	BASE	HEIGHT	DEPTH'	COVER	No. HOLES
 080 = thermoplastic boxes	 C = polycarbonate box CS = polystyrene box	 06 = 65 mm 09 = 94 mm 18 = 180 mm	 06 = 65 mm 09 = 94 mm 13 = 130 mm 18 = 182 mm 25 = 254 mm	 5 = 57 mm 8 = 81 mm 9 = 90 mm 11 = 110 mm	 G = yellow T = transparent	 P.. = Ø 22 holes S.. = Ø 30 holes
080	C	09	13	5		P3

080C0913-5P3



TEMPLATES HOLES Ø 22 E Ø 30mm



1) This example is intended only to permit decoding of existing codes and not for independent management of these..