



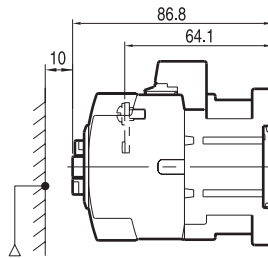
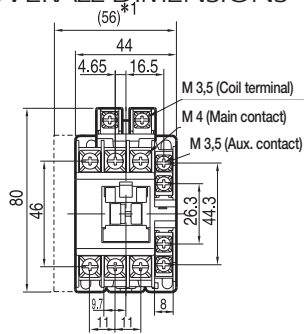
OVERALL DIMENSIONS

9 12 18 22

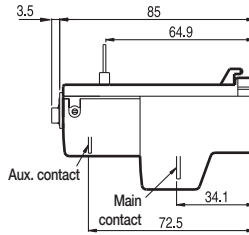
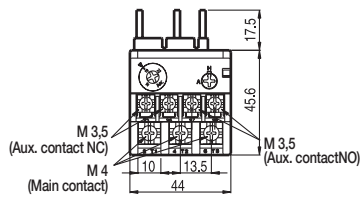
SECTIONS

CONTACTORS

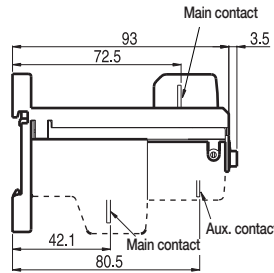
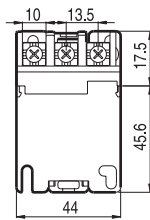
OVERALL DIMENSIONS



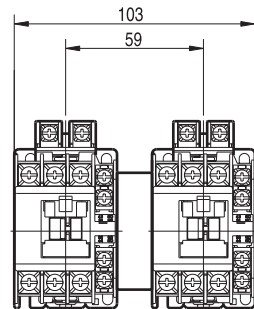
RELAY



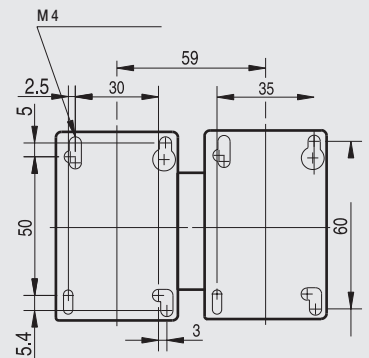
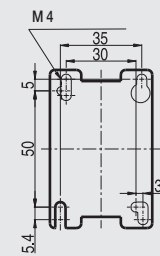
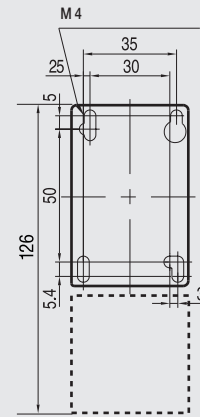
RELAY MOUNTING ADAPTER



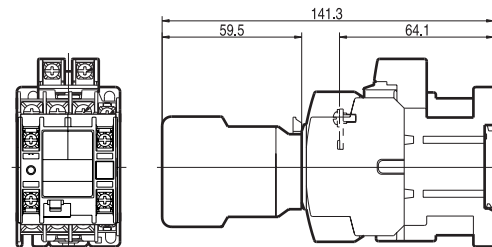
MECHANICAL INTERLOCK



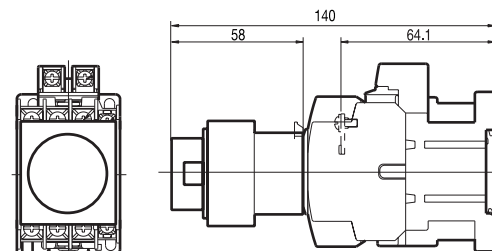
FIXING DIMENSION



MECHANICAL LATCH



PNEUMATIC TIMER



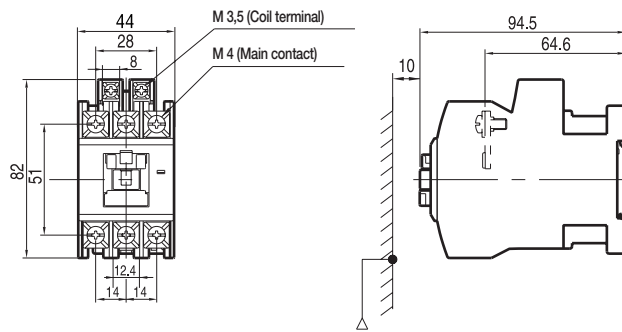


32 40

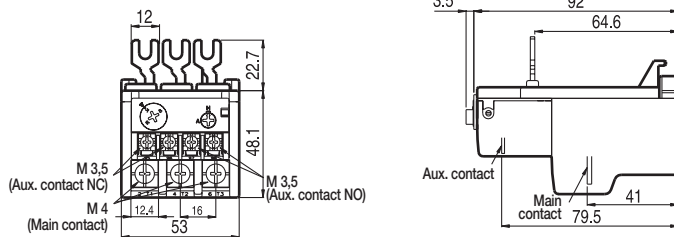
SECTIONS

OVERALL DIMENSIONS

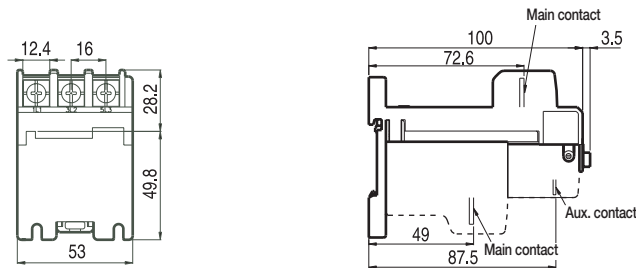
CONTACTORS



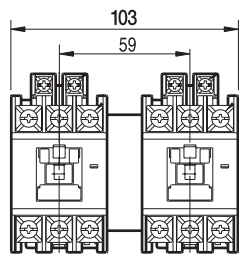
RELAY



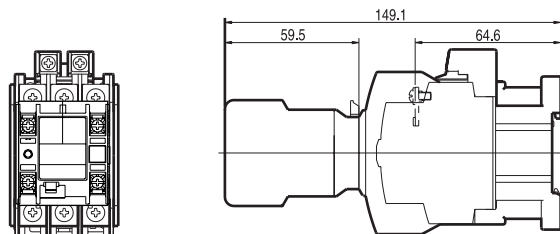
RELAY MOUNTING ADAPTER



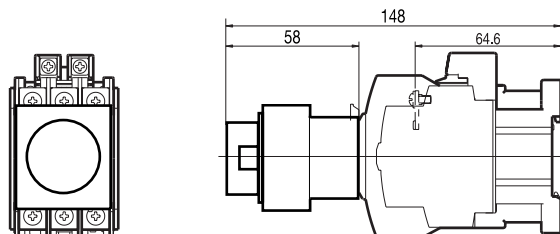
MECHANICAL INTERLOCK



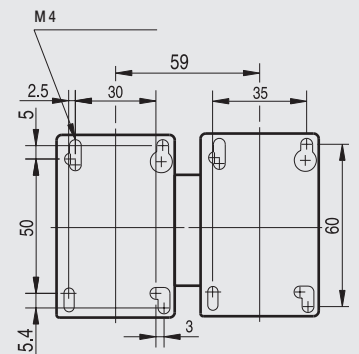
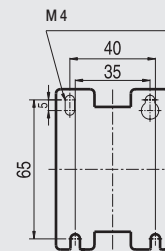
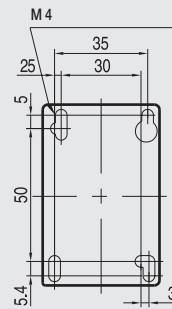
MECHANICAL LATCH



PNEUMATIC TIMER



FIXING DIMENSION



090





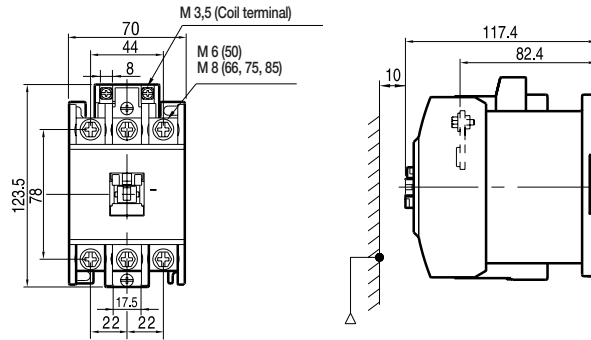
OVERALL DIMENSIONS

**50** **65** **75** **85**

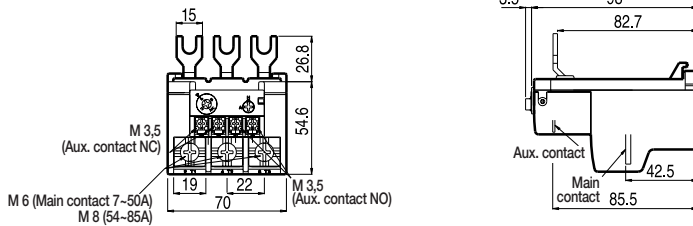
SECTIONS

CONTACTORS

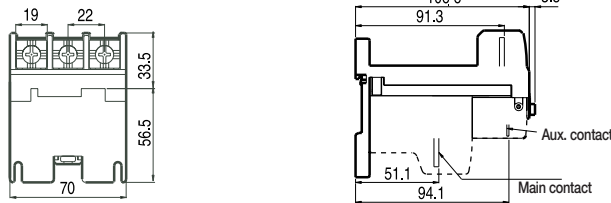
OVERALL DIMENSIONS



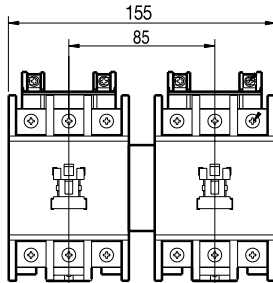
RELAY



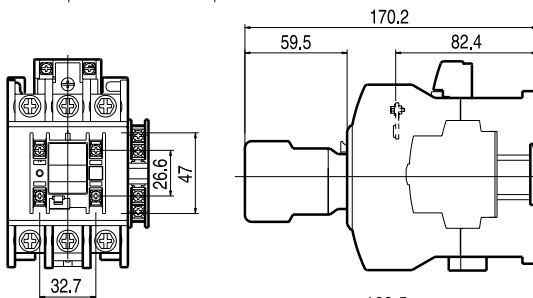
RELAY MOUNTING ADAPTER



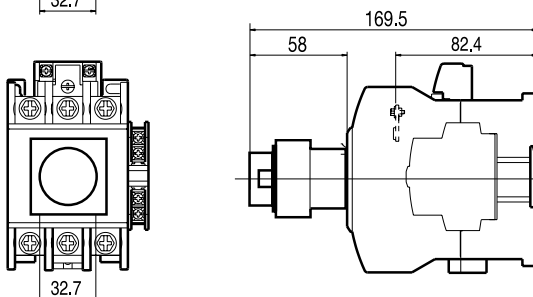
MECHANICAL INTERLOCK



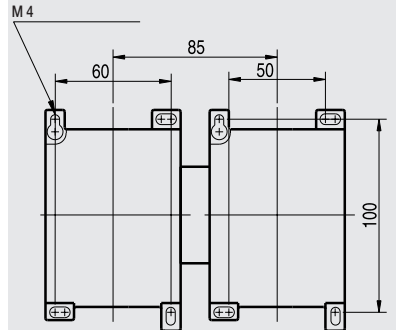
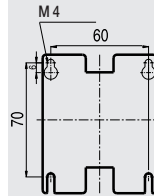
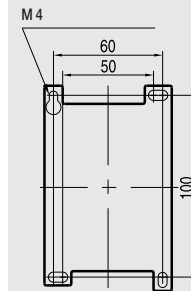
MECHANICAL LATCH



PNEUMATIC TIMER



FIXING DIMENSION



090





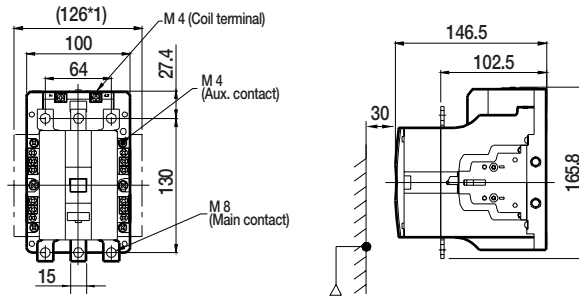
OVERALL DIMENSIONS

105 120

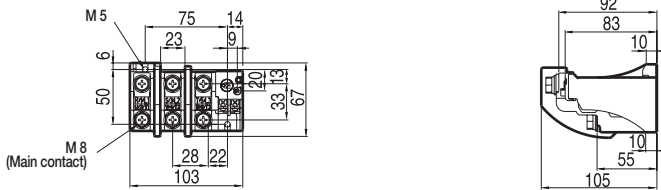
SECTIONS

OVERALL DIMENSIONS

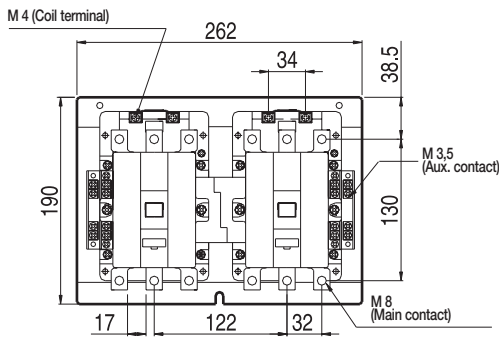
CONTACTORS



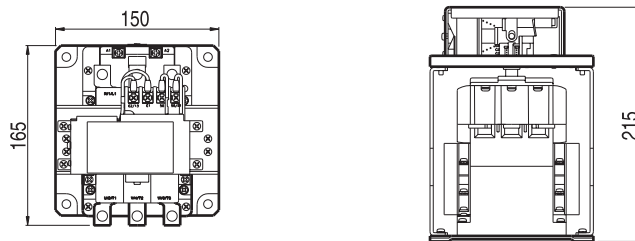
RELAY



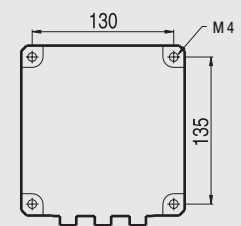
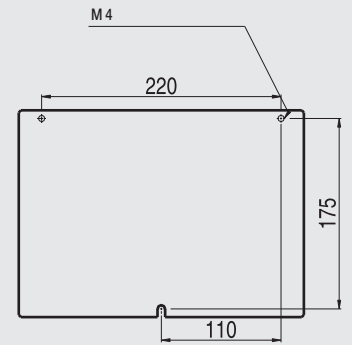
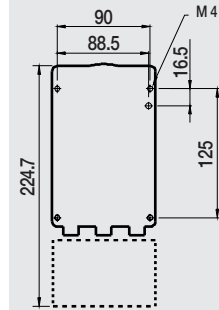
MECHANICAL INTERLOCK



MECHANICAL LATCH



FIXING DIMENSION



090





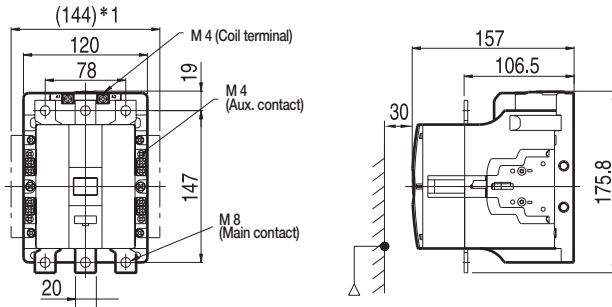
OVERALL DIMENSIONS

150

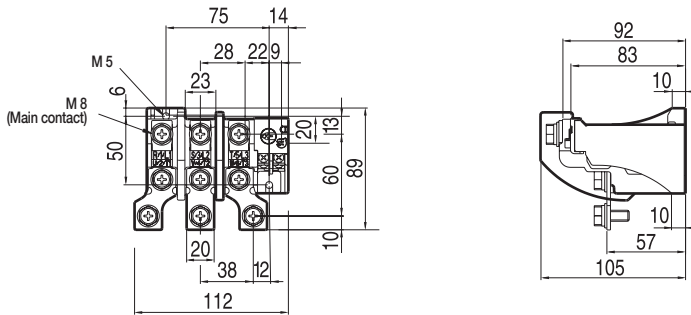
SECTIONS

CONTACTORS

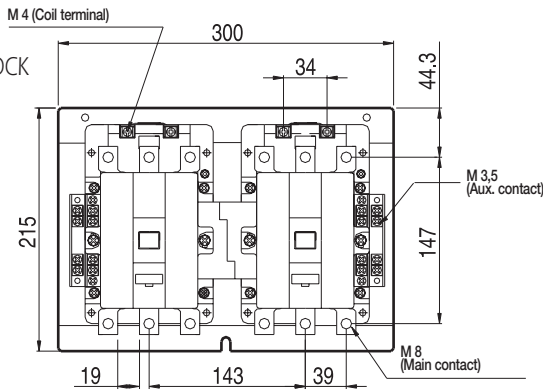
OVERALL DIMENSIONS



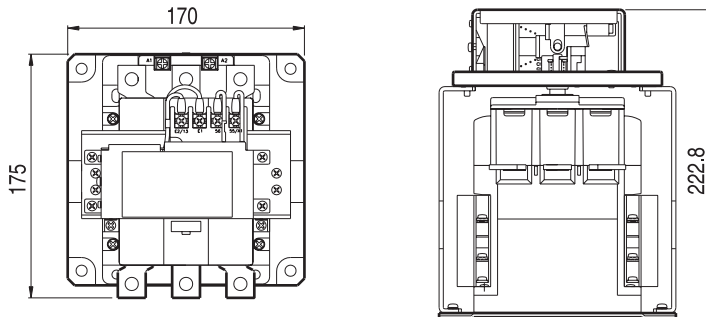
RELAY



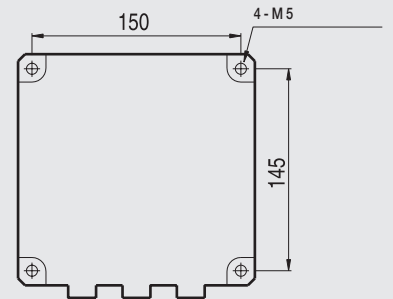
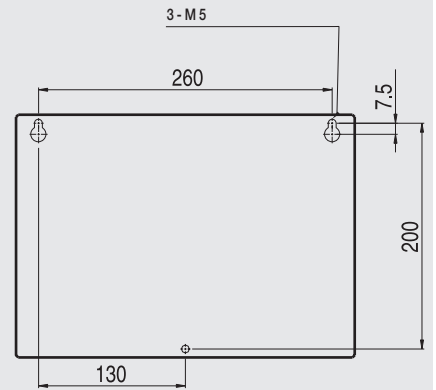
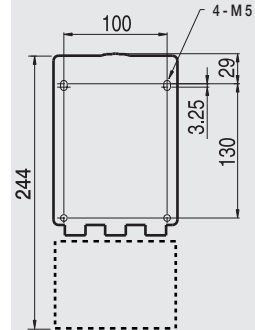
MECHANICAL INTERLOCK



MECHANICAL LATCH



FIXING DIMENSION





OVERALL DIMENSIONS

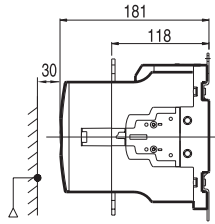
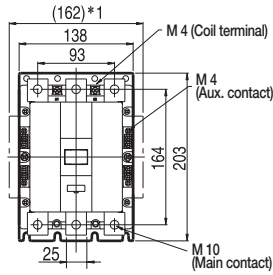
180

250

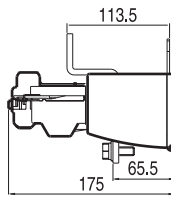
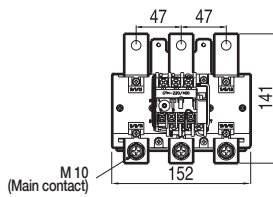
SECTIONS

OVERALL DIMENSIONS

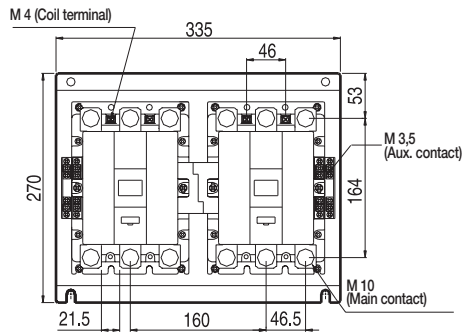
CONTACTORS



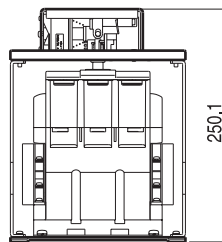
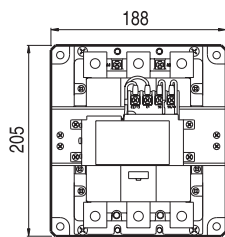
RELAY



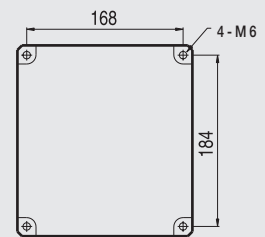
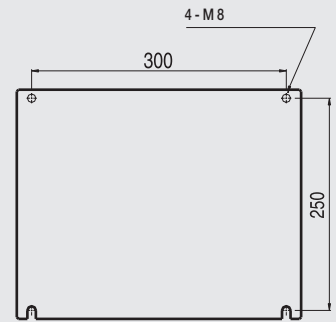
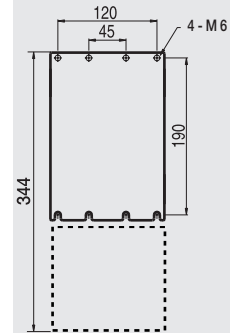
MECHANICAL INTERLOCK



MECHANICAL LATCH



FIXING DIMENSION



090





OVERALL DIMENSIONS

300

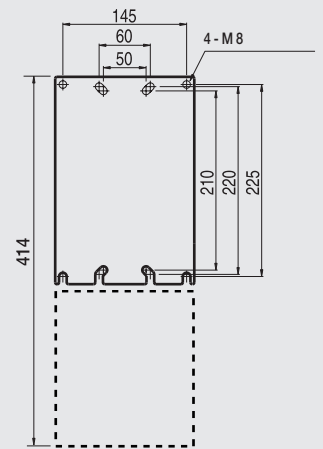
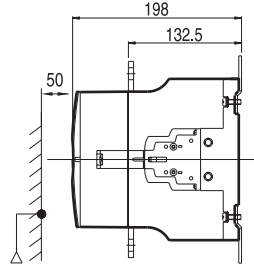
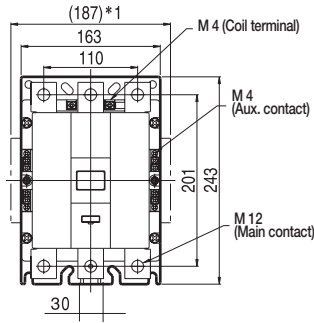
400

SECTIONS

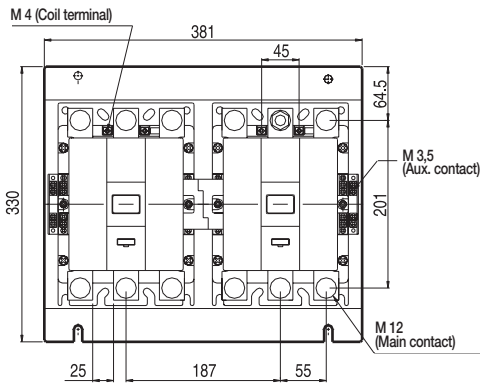
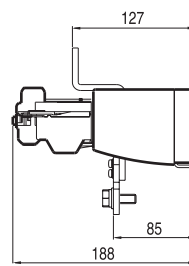
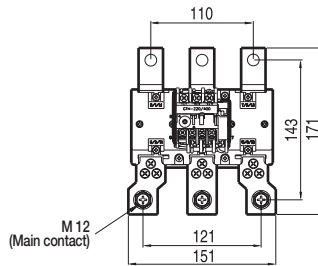
OVERALL DIMENSIONS

FIXING DIMENSION

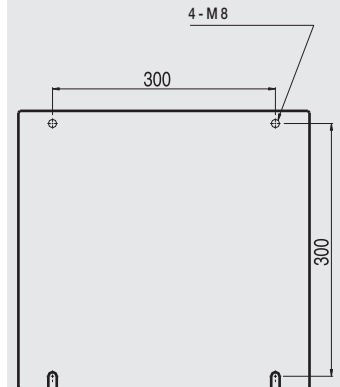
CONTACTORS



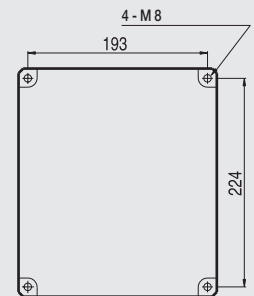
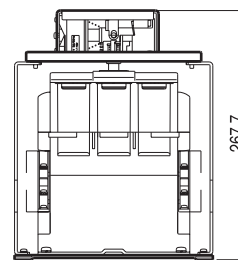
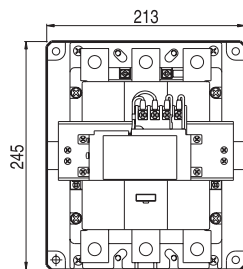
RELAY



MECHANICAL INTERLOCK



MECHANICAL LATCH





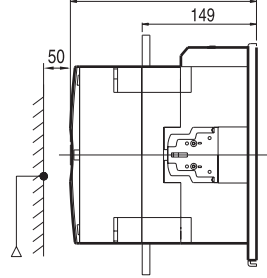
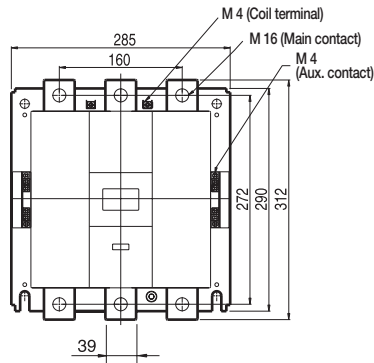
OVERALL DIMENSIONS

SECTIONS

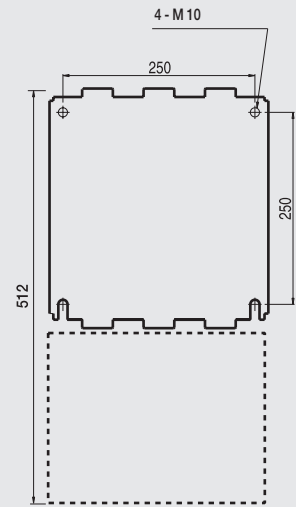
**630** **800**

OVERALL DIMENSIONS

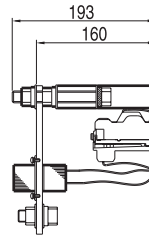
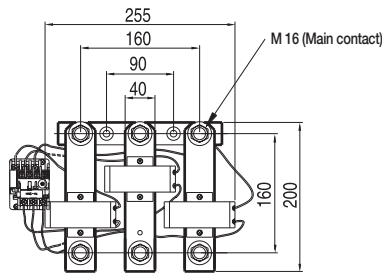
CONTACTORS



FIXING DIMENSION



RELAY



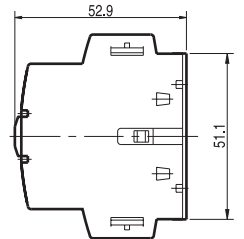
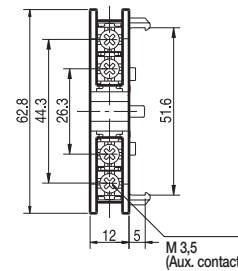
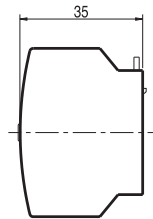
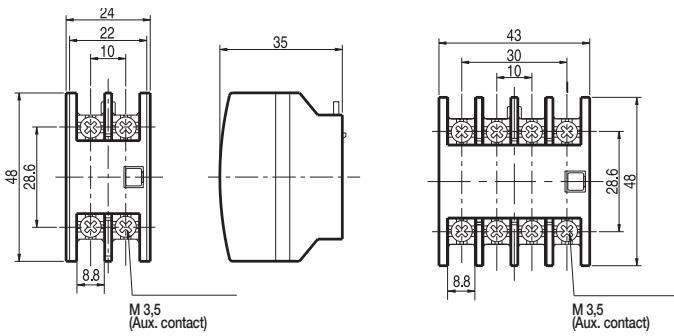
090

SECTIONS

**9** **12** **18** **22** **32** **40** **50** **65** **75** **85**

TOP MOUNTING AUXILIARY CONTACTS

SIDE MOUNTING AUXILIARY



SECTIONS

**105** **120** **150** **180** **250** **300** **400** **630** **800**

SIDE MOUNTING AUXILIARY CONTACTS

