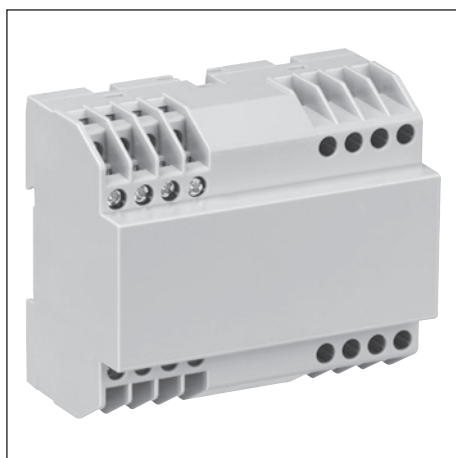
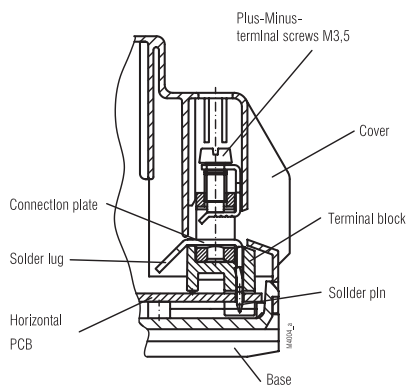


Insulated Enclosure KU 4090

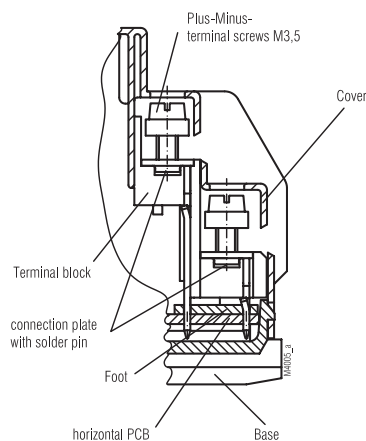
to DIN 43 880 for installation in distribution cabinets or surface mounting, with high current terminals and flat terminals



- Breite 105 mm
- max 8 current terminals and 16 flat terminals
- High current terminals for horizontal PCB or without PCB
- Flat terminals for vertical or horizontal PCB
- Machine soldered connections
- Housing supplied as single parts, terminals prefitted in terminal blocks



High current terminal for horizontal PCB



Flat terminal for horizontal PCB

Technical Data

Order references

vertical PCB: KU 4090.0054449

horizontal PCB: KU 4090.0054420

Outer dimensions: 105 x 90 x 59 mm

Enclosure material: PC - GF, lichtgrau RAL 7035

Temperature stability:		
complying with UL 746 B:		125 °C
complying with Vicat		
ISO 306	Meth. B:	148 °C
compl. with ISO 75-2	Meth. A:	138 °C
	Meth. B:	144 °C

Max. permitted power dissipation: 11 W for stand alone enclosure at normal climate 23/50-1 ISO 554

Specific thermal resistance: $R_{th} = 5,2 \text{ K / W}$ for stand alone enclosure

Flame retardancy complying with UL 94: V-0
complying with IEC 60 707: BH 2-30

Number of terminals. 8 current terminals, part insertion, on request
16 Flat terminals, part insertion, on request

	High current terminals	Flat terminals, standard
Terminal material:	E - Copper, tin-plated	Steel strip, tin-plated
Max. cross section for connection:	1 x 10 mm ² solid	2 x 2.5 mm ² solid 2 x 1.5 mm ² stranded ferruled DIN 46228-1/-2/-3
	1 x 6 mm ² stranded ferruled 12 mm large DIN 46228 not B	2 x 1 mm ² stranded ferruled DIN 46228-4
Min. cross section for connection:	≥ 1 mm ² solid ≥ 0.5 mm ² stranded ferruled	1 x 0.3 mm ² solid or 1 x 0.5 mm ² stranded ferruled DIN 46228-1/-2/-3/-4
		9 - 10 mm
Insulation of wires length:	11 mm	
Max. contact resistance to printed circuit board:	10 mΩ	10 mΩ
Max. current carrying capacity:	50 A	16 A
Wire fastening:	Captive Plus-minus terminal M4 Box terminal with self raising wire protection	Captive Plus-minus terminal M3,5 with self raising terminal washers

Require tool: Screwdriver ISO 2380-1
ISO 8764-Z

Torque: max. 0.8 Nm

Inner connection: Machine solderable terminal blocks for PCB, high current terminal with lugs for solder connection with stranded

Enclosure fastener: 1) Snap-on fastener on top hat rail EN 50 022
2) Screw fixing M4, grid 90 mm with additional clip as accessory

Creepage current resistance: Insulated group III a IEC 60664-1

Air gap and creepage distances IEC 60664-1

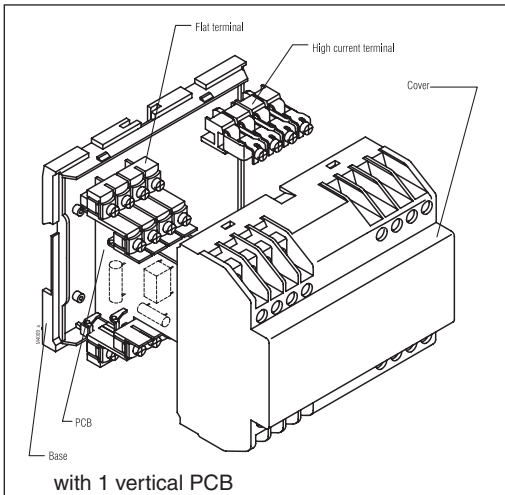
High current terminals: out: ≥ 8.0 mm; in: ≥ 5.0 mm
Flat terminals
vertical PCB: Air gap: ≥ 4.0 mm; Creepage: ≥ 6.3 mm
horizontal PCB: ≥ 3.2 mm IEC 60664-1

Type of protection
Enclosure: IP 40 IEC 60529
Terminals: IP 20 IEC 60529
Contact protection complies VBG 4

Print area: 33 x 42 mm / 67 x 42 mm, on the front

Printed circuit board:	see printed circuit board design
Printed circuit board holder:	Fixing eyes in the lower section of enclosure resp. guide ribs in the base
Net weight:	190 g
Accessories:	
ET 4086-0-2:	Second clip for screw fixing
KU 4087-0-2:	Blanking plug for flat terminal
KU 4087-21-3:	Blanking plug for high current terminal
Special version, on request:	e. g. openings in the front

Exploded view



with 1 vertical PCB

Connection plate for high current terminals

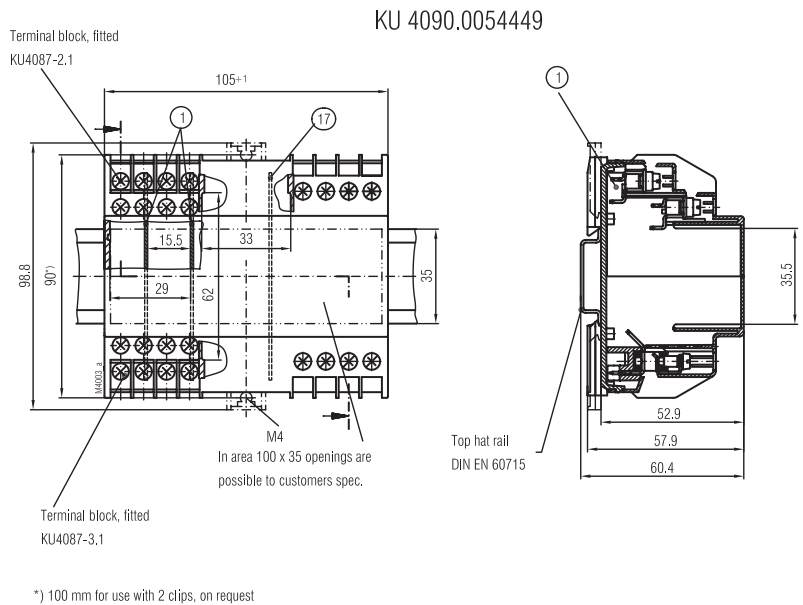


- Solder lug for stranded up to 4 mm²
- Pin off-set 2,54 mm²
- Pin cross section each 1 mm²

Easy assembly of fine wires

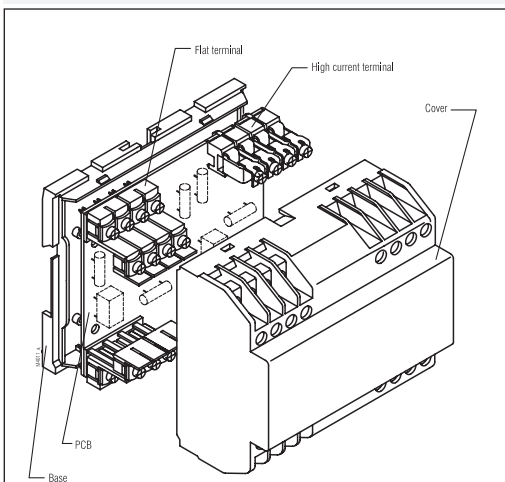
Dimensions Enclosure for vertical PCB

PCBs not included in deliveries



*) 100 mm for use with 2 clips, on request

Exploded view



with 1 horizontal PCB

Connection plate for high current terminals

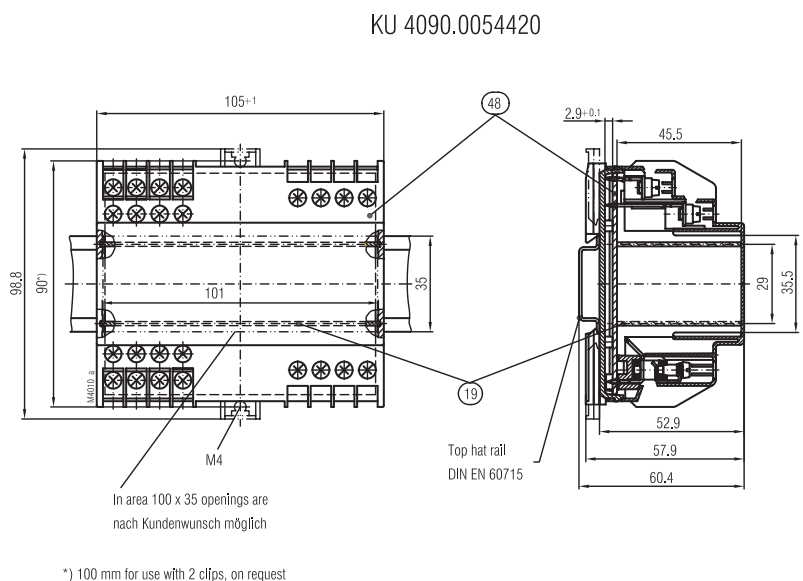


- Solder lug for stranded up to 4 mm²
- Pin off-set 2,54 mm²
- Pin cross section each 1 mm²

Easy assembly of fine wires

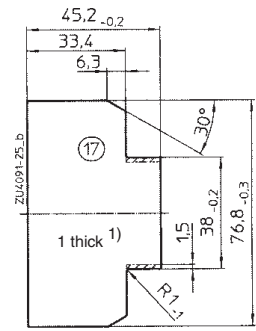
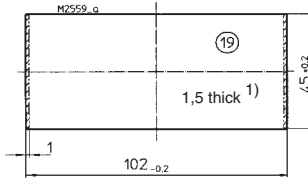
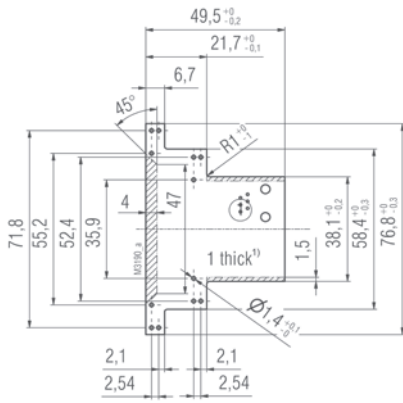
Dimensions Enclosure for horizontal PCB

PCBs not included in deliveries



*) 100 mm for use with 2 clips, on request

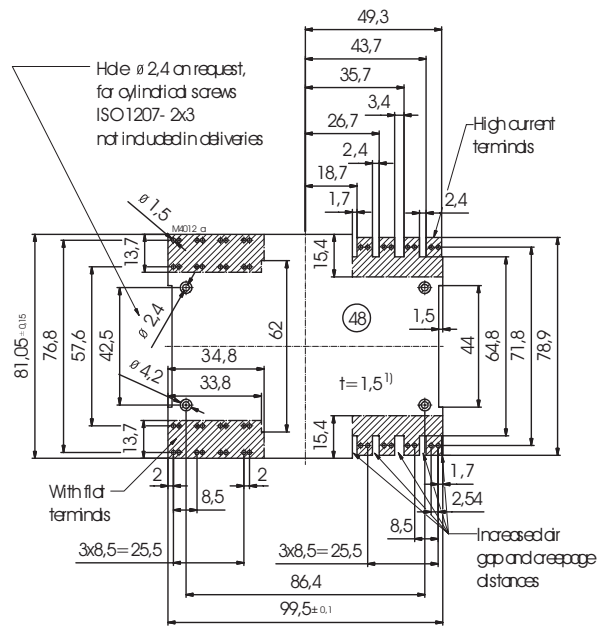
Printed circuit board designs



inhibited surface

¹⁾ Tolerance complying with IEC 60 249-2-4

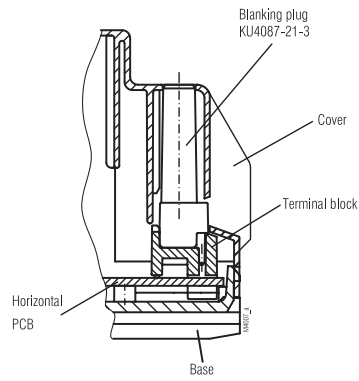
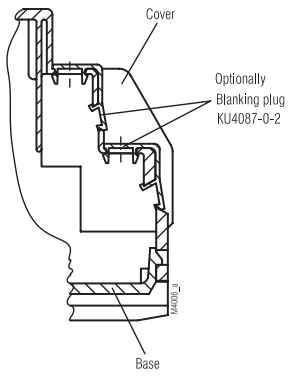
View from component side



Inhibited surface

¹⁾ Tolerance to DIN EN 60249-2-4

General tolerance: PER FAG 2 E



Variante

Connection plate KU 4087-21-2.2
Easy assembly of heavy wires due to
terminal blocks in the cover



Solder lug for stranded up to 6 mm²

Pin off-set 2,54 mm²
Pin cross section each 1 mm²