

The stabilised compact power supply unit DNEZ5 is excellently qualified to be used as a power supply unit for small components of the control technique, e.g. proximity switches, light barriers or sensors.



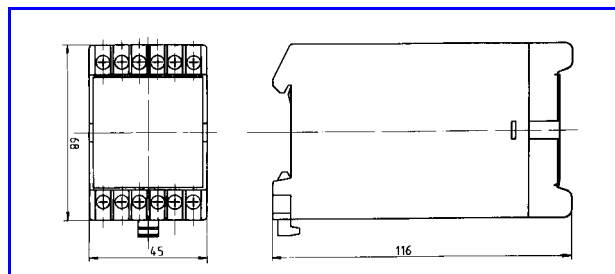
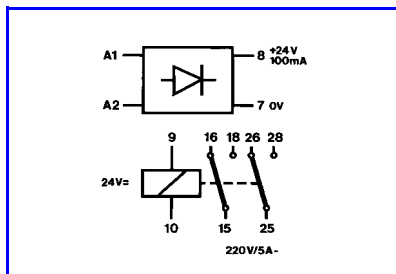
- DC 24V / 100mA stabilized, short-circuit-proof output voltage
- Compact DIN-housing, width just 45mm
- Inclusive switching relay with 2 change-over contacts
- LED-display for secondary voltage and relays
- Qualified alternatively for NPN or PNP-initiators

An integrated switching relay with 2 change-over contacts can be used by the connected sensors as a switching amplifier. The power-on signal and the switching status are shown by LEDs.

The polarity of the relay control 9-10 is random, the power consumption of the relay is approx. 40mA . Because of the protection of this input a controlling via a transistor stage is possible without a problem, there will be also no hazardous of these components. The voltage output 7-8 is permanently short-circuit-proof.

Specifications	
Operating voltage U_N	AC 230V, 50-60Hz AC 115V, 50-60Hz
Voltage tolerance	85..110% of U_N
Power consumption	approx. 3.0VA
LED's	green for supply voltage red: relay contact is switched
Protection	housing IP40, terminal IP10
Voltage output	DC 24V / 100mA stabilized permanent short-circuit-proof; +5% / -10%
Power consumption relay	approx. 40mA at contact 9-10
Switching capacity	2 change-over contacts 250V AC: max. 5A, max. 1000VA DC: 24V, 3A / 60V, 500mA / 110V, 200mA
Contact life	mechanical 2x10 ⁷ operations
Temperature range	-20 ⁰ - + 60°C (dew-free)
Dielectric strength	4kV DIN VDE 0110-1:1997-04
Weight	approx. 250g
Installation position	any
Mounting	DIN-rail mounting DIN EN 50022-35

Contact configuration



Order-No	Type
408050	DNEZ5 AC230V
408051	DNEZ5 AC115V

The compact power supply unit NTX is excellently qualified to be used as a power supply unit for small automation components, e.g. of the Micro-PLCs SPEEDY/EX16 or the fieldbus-modules ESB. The NTX is also just right as a supply unit in control applications, e.g. proximity switches, light barriers or sensors.



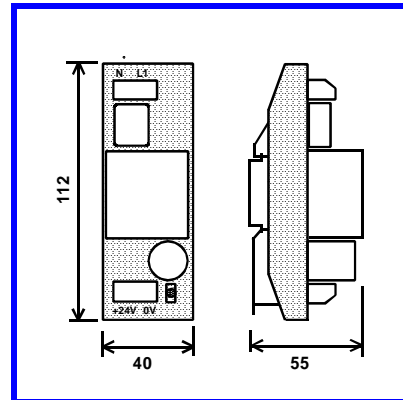
- DC 24V / 160mA smoothed output voltage
- Compact size, DIN-rail mounting
- LED-display for secondary voltage
- Mains filter included
- Permanent short-circuit proof

Installation

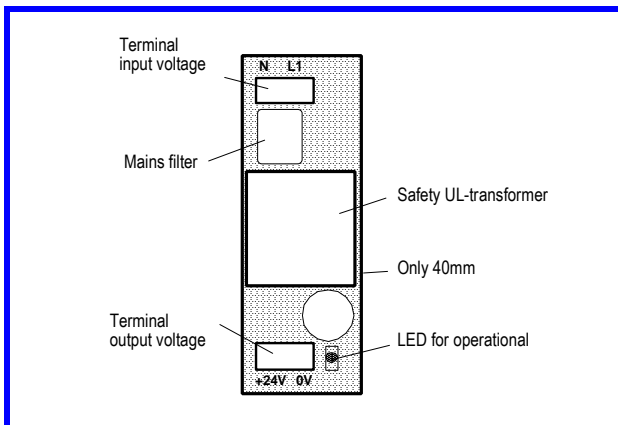
The output terminals are existing twice, so on the secondary side several **NTX** can be connected easily parallel or in series.

Because of the integrated mains filter and the short-circuit proof transformer, processor controls can operate at the **NTX** with noise immunity. The DC 24V-connection should be as short as possible and may not be placed near a high voltage transmission line or a high frequency line.

The supply unit is loadable up to 160mA (200mA peak). This is sufficient in order to supply three Micro-PLCs SPEEDY depending on the quantity of switched relay-outputs.



Order-Nr	Type
471200	NTX AC230V
471201	NTX AC110/115V



Specifications	
Operating voltage	AC 230V, 115V; +/- 10%
Mains frequency	50-60Hz
Power consumption	max. 4,0VA
LED	yellow for operational (secondary voltage)
Output voltage	DC 24V, unstabilized, smoothed
Output current	max. 160mA permanent, 200mA up to 20s
Residual ripple	< 5%
Temperature range	0 .. +50°C
Max. output voltage	DC 30V / without load / 100% input voltage
Min. output voltage	DC 17V / 160mA / 100% input voltage
Dielectric strength	4kV DIN VDE 0110-1:1997-04
Weight / mounting	approx. 280g, DIN rail mounting