

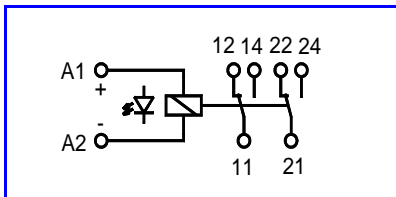
The DSC-system consists of high-quality interface modules for DIN-rail installation. Besides their function as an interface with electrical isolation the units can also be used as fully-electrical circuit-breakers because of their very high output switching capacity.



- Relay interface or short circuit-proof 4A power optocoupler
- Compact housing 22.5mm
- High output switching capacities
- Defined input switching thresholds
- LED display for signal and short circuit
- Noise spike suppression
- All the usual input / output voltages up to AC 230V

Relay interface DSRC1

Relay module with two changeover contacts, including rectifier circuit in the input stage and LED display. The version with AC 230V input has an isolating transformer and therefore minimum power consumption.

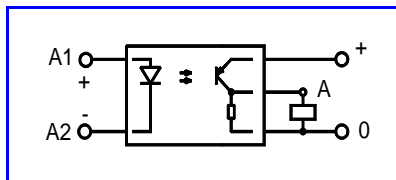


Specifications	
Input voltage	ADC12/24V, AC230V +15/-10%
Input resistance	1 kOhm / 24V, 270 Ohm / 12V
Power consumption	< 1,0 VA (AC230V-Input)
LED	Yellow, closed contact
Protection	IP20
Output	2 changeover contacts AC 250V
Switching capacity	AC: max. 8A, max. 2000VA DC: 24V; 3A / 60V; 0,7A 115V; 0,3A
Contact life	mechanical 2x10 ⁷ operations
Isolation voltage	2,5kV (contact - coil)
Temperature range	0° - + 60°C
Weight	approx. 150g

Order-No	Type
453010	DSRC1 ADC12V Input
453011	DSRC1 ADC24V Input
453014	DSRC1 AC230V Input

Power optocoupler interface DSOC1 (DC/DC)

Short circuit-proof DC/DC optocoupler module with 3-wire SIPMOS transistor switching output. The output stage also has an overtemperature protection facility. Short circuits or overtemperatures cause locked cut-off, which is at the same time indicated by the red LED. Switching back on is performed by eliminating the input or output voltage. The load resistance must be greater than 4 Ohm. The maximum clocking frequency under full load (4A) is 100Hz. Input voltages and input currents have defined levels.

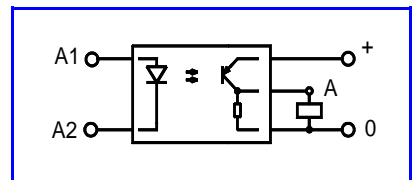


Specifications	
Input voltage	DC10-30V, residual ripple < 5%
Input current	< 15mA
Switching threshold	"H": > 7V "L": < 5V
LED's	Output: yellow Short circuit: red
Protection	IP20
Output	Transistor, short circuit proof
Switching capacity	DC10-30V; 4A
Residual voltage drop	1V
Signal delay	max. 1ms
Isolation voltage	2,5kV (input-output)
Temperature range	0° - + 60°C
Weight	approx. 150g

Order-No	Type
453130	DSOC1 DC10-30V Input

Power optocoupler interface DSOC1 (AC/DC)

Short circuit-proof optocoupler module with 3-wire SIPMOS transistor switching output. The output stage also has an overtemperature protection facility. Short circuits or overtemperatures cause locked cut-off. This is indicated at the same time by the red LED. Switching back on is performed by eliminating the input or output voltage. The load resistance must be greater than 4 Ohm. The maximum clocking frequency under full load (4A) is 100Hz. The input voltage can be between AC 110 and 230V.



Specifications	
Input voltage	AC110-230V, 50-60Hz
Input current	< 10mA
Switching threshold	"H": > 50V "L": < 25V
LED's	Output: yellow Short circuit: red
Protection	IP20
Output	Transistor, short circuit proof
Switching capacity	DC10-30V; 4A
Residual voltage drop	1V
Signal delay	max. 20ms
Isolation voltage	2,5kV (input-output)
Temperature range	0° - + 60°C
Weight	approx. 150g

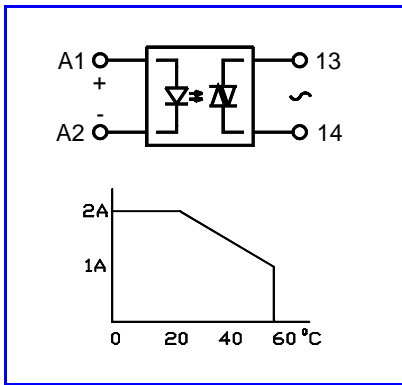
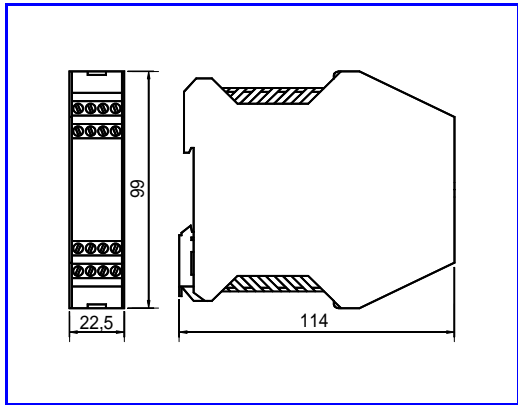
Order-No	Type
453131	DSOC1 AC110-230V Input

2



Power optocoupler interface DSHC1 (DC/AC)

Optocoupler module with high-performance output stage for AC 24-240V / 2A continuous load at 25°C. The output is suppressed with a RC element and varistor and is therefore also suitable for controlling inductive loads. The load is switched on in zero crossing of the secondary voltage. Switching off occurs with current zero crossing. Note the reduction in the possible switching capacity as the ambient temperature increases. The load is connected in series with output of the **DSHC1**. The output is not short circuit-proof.



Specifications	
Input voltage	DC10-30V, Residual ripple < 5%
Input current	20mA at DC24V
Switching threshold	"H": > 8V "L": < 56
LED	Output: yellow
Protection	IP20
Output	Triac, AC24-240V, 50-60Hz
Switching capacity	2A at 25°C, 1A at 50°C Surge current: max.10A for 10ms
Minim. load current	50mA
Signal delay	max. 10ms
Isolation voltage	2,5kV (input/output)
Temperature range	0° - + 50°C See derating diagram
Weight	approx. 150g

Order-No	Type
453151	DSHC1 DC10-30V Input