

The compact power supply unit NTX is excellently qualified to be used as a power supply unit for small automation components, e.g. of the Micro-PLCs SPEEDY/EX16 or the fieldbus-modules ESB. The NTX is also just right as a supply unit in control applications, e.g. proximity switches, light barriers or sensors.



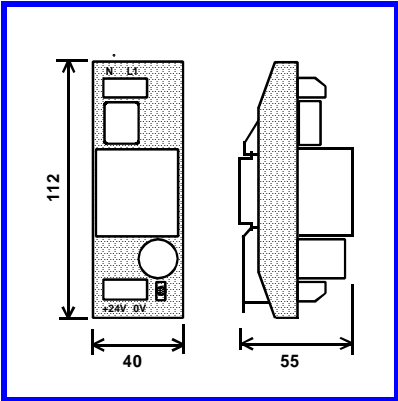
- DC 24V / 160mA smoothed output voltage
- Compact size, DIN-rail mounting
- LED-display for secondary voltage
- Mains filter included
- Permanent short-circuit proof

**Installation**

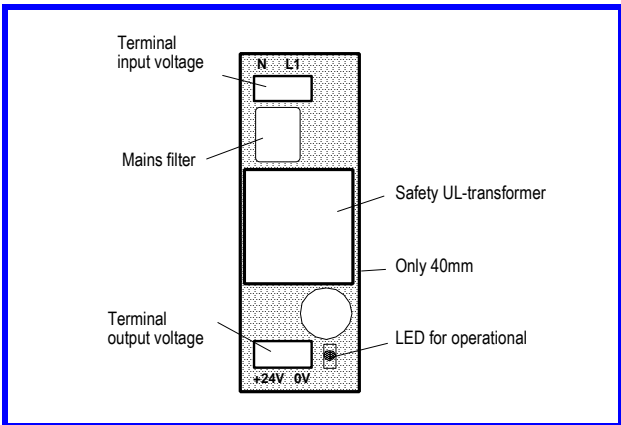
The output terminals are existing twice, so on the secondary side several NTX can be connected easily parallel or in series.

Because of the integrated mains filter and the short-circuit proof transformer, processor controls can operate at the NTX with noise immunity. The DC 24V-connection should be as short as possible and may not be placed near a high voltage transmission line or a high frequency line.

The supply unit is loadable up to 160mA (200mA peak). This is sufficient in order to supply three Micro-PLCs SPEEDY depending on the quantity of switched relay-outputs.



Order-Nr	Type
471200	NTX AC230V
471201	NTX AC110/115V



Specifications	
Operating voltage	AC 230V, 115V; +/- 10%
Mains frequency	50-60Hz
Power consumption	max. 4,0VA
LED	yellow for operational (secondary voltage)
Output voltage	DC 24V, unstabilized, smoothed
Output current	max. 160mA permanent, 200mA up to 20s
Residual ripple	< 5%
Temperature range	0 .. +50°C
Max. output voltage	DC 30V / without load / 100% input voltage
Min. output voltage	DC 17V / 160mA / 100% input voltage
Dielectric strength	4kV DIN VDE 0110-1:1997-04
Weight / mounting	approx. 280g, DIN rail mounting