

The described extension modules can be connected with the micro PLC SPEEDY via the expansion part. These are plugged to the PLC simply with a flat cable connection. The following extension modules are available:

- Device with 8 digital inputs and 8 outputs
- Clock timer module with daily or weekly program
- Analogue input/output module
- bus module for the integration of a ZANDER bus plug-in card for Profibus DP, interbus or CAN open
- Customized extension modules



Clock timer module SPEEDY ZXCL

The clock timer module ZXCL is available with daily or weekly program. Time and switching times can quickly and easily be set by 4 multi-function keys. The current time, user guidance and switching status appear at the LCD display.



Installation

The clock timer module ZXCL is available with daily or weekly program. Time and switching times can quickly and easily be set by 4 multi-function keys. The current time, user guidance and switching status appear at the LCD display. A relais is integrated, so ZXCL can also work without a connection with SPEEDY autonomously. In this case the power supply is made by the DC 24V-terminal. If it is operated with SPEEDY no voltage supply is necessary. This is made by the cable connection as well as the transmission of the switching status of the clock timer.

The switching status of ZXCL is available at the SPEEDY expansion port EA9.

The extension module is attached to the basis device simply via the provided flat cable. For this unscrew the covers of the devices, plug in the flat cable and reassemble the covers. Pay attention to the correct fit of the toothed washers.

Connection	Signal
L+	+24VDC supply
M	0V supply
PE	protective earth
13/14	N/O contact of the clock timer

Order No	Type
588330	SPEEDY ZXCL, daily clock timer
588331	SPEEDY ZXCL, weekly clock timer

Techn. Data	
Operating voltage	DC 24V, +/-20%, max 16mA, only necessary for the operation without SPEEDY
Remaining ripple	max. 5%
Switching areas	20, with keyboard freely programmable Switching gap: 1s respectively 1min
Pulse time	1..99s adjustable
Temperature range	0 -+50° C
Weight	approx.150g
Dimension	112 x 40 x 47mm
Relay contact	1 N/O only to be operated with DC 24V without SPEEDY
Contact rating	AC 250V 5A, DC 24V 3A, ohm resistive load, external fuse necessary
Power reverse	4h, in case of mains failure

This extension module provides additionally 8 *digital* inputs and 8 digital outputs to the controller SPEEDY. ZXTE provides 8 transistor outputs, ZXRE provides 8 relay outputs.

- 8 digital inputs DC24V or AC230V
- 8 digital outputs, relay or transistor
- Simply to connect via flat cable



Installation

These additional inputs/outputs are addressed with the programming software EX_PRESS like inputs/outputs of the basis device, see also commented sample program.

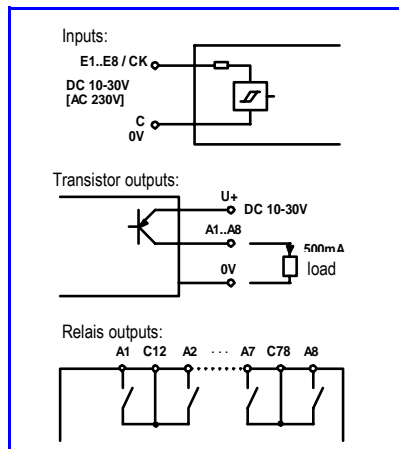
The extension module is connected to the basis device simply via the provided flat cable. For this unscrew the covers of the devices, plug in the flat cables and reassemble the covers. Pay attention to the correct fit of the toothed washers.

Software

The module is directly accessed as an 8-bit input or an 8-bit output by the SPEEDY-program via the plug-in connection. If only inputs or only outputs of the extension module are used, the full SPEEDY parallel operating is per-

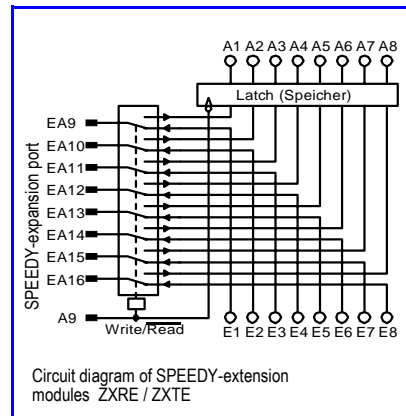


formed and so the speed is the same as it is for the inputs or outputs of the basis device. If both, inputs and outputs of the extension module, are used, these will be multiplexed by the software and so the speed will be reduced.



Conn.	Signal
L+	+24VDC supply
M	0V supply
PE	protective earth
E1..E8	input 1..8
A1..A8	output 1..8

CE



Techn. Data	
Operating voltage	DC 24V, +/-20%
Remaining ripple	max. 5%
Input current	approx. 30mA plus 10mA per active output
Inputs	8, each DC 10-30V or AC230V, also as clock inputs
Outputs	8, relay or transistors, each 1N/O
LEDs	all inputs/outputs
Temperature range	0 -+50° C
Weight	approx. 250g
Dimension	112 x 75 x 47mm
Contact rating ZXRE/ZXRV (8x relay outputs)	AC 250V 5A, DC 24V 3A, ohm resistive load per two outputs one common connection external fuse necessary ZXRV additionally with resistor protection circuit 250V
Contact rating ZXTE (8x transistor outputs)	DC 10..30V; 0,5A durable short-circuit proof

Order-No	Type
588340	SPEEDY ZXRE, 8x input DC24V 8x relay output
588341	SPEEDY ZXTE, 8x input DC24V 8x transistor output
588343	SPEEDY ZXRE, 8x input AC230V 8x relay output
588344	SPEEDY ZXREV 8x input DC24V 8x relay output with varistor protection
588345	SPEEDY ZXREV 8x input AC230V 8x relay output with varistor protection